



ENCLOSURE AIR CONDITIONERS

High Capacity Series

10,000 BTUH

Celebrating
20 Years of
Excellence

Engineered & manufactured to endure the most difficult of environments and applications. ISC air conditioners will exceed environmental requirements in applications like Steel, Food Processing, Petro-Chemical, Cement, Paper & Pulp and Plastics



Indoor/Outdoor NEMA Type 12, 4 and 4X Closed Loop Systems

Digital Temperature Controller

- ◆ Programmable set point and temperature operating controls
- ◆ Visible error and/or alarm messaging
- ◆ System status indication
- ◆ Password protection

Independent Active Condensate Management System

- ◆ Elimination of condensate
- ◆ Eradicates condensate without corrosive contact with coils

Unit Efficiency

- ◆ Pressure operated blower control reduces power inrush and saves energy
- ◆ Fully insulated & sealed cabinet
- ◆ Temperature Control Valve to provide a broad temperature range while maintaining cooling capacity
- ◆ Washable Filter Media

Industrial Construction

- ◆ Free standing rigid chassis eases maintenance
- ◆ Durable 16 gauge welded steel construction with a hard wearing powder coated finish for NEMA Type 12 and 4; 304 Stainless Steel for NEMA Type 4X
- ◆ Tamper Resistant Hardware

Compressor Protection System

- ◆ High & Low refrigerant cutoffs with fault indication
- ◆ Compressor anti short cycle protection
- ◆ Compressor run capacitors reduce power inrush, save energy and increase compressor life

1 Year Warranty

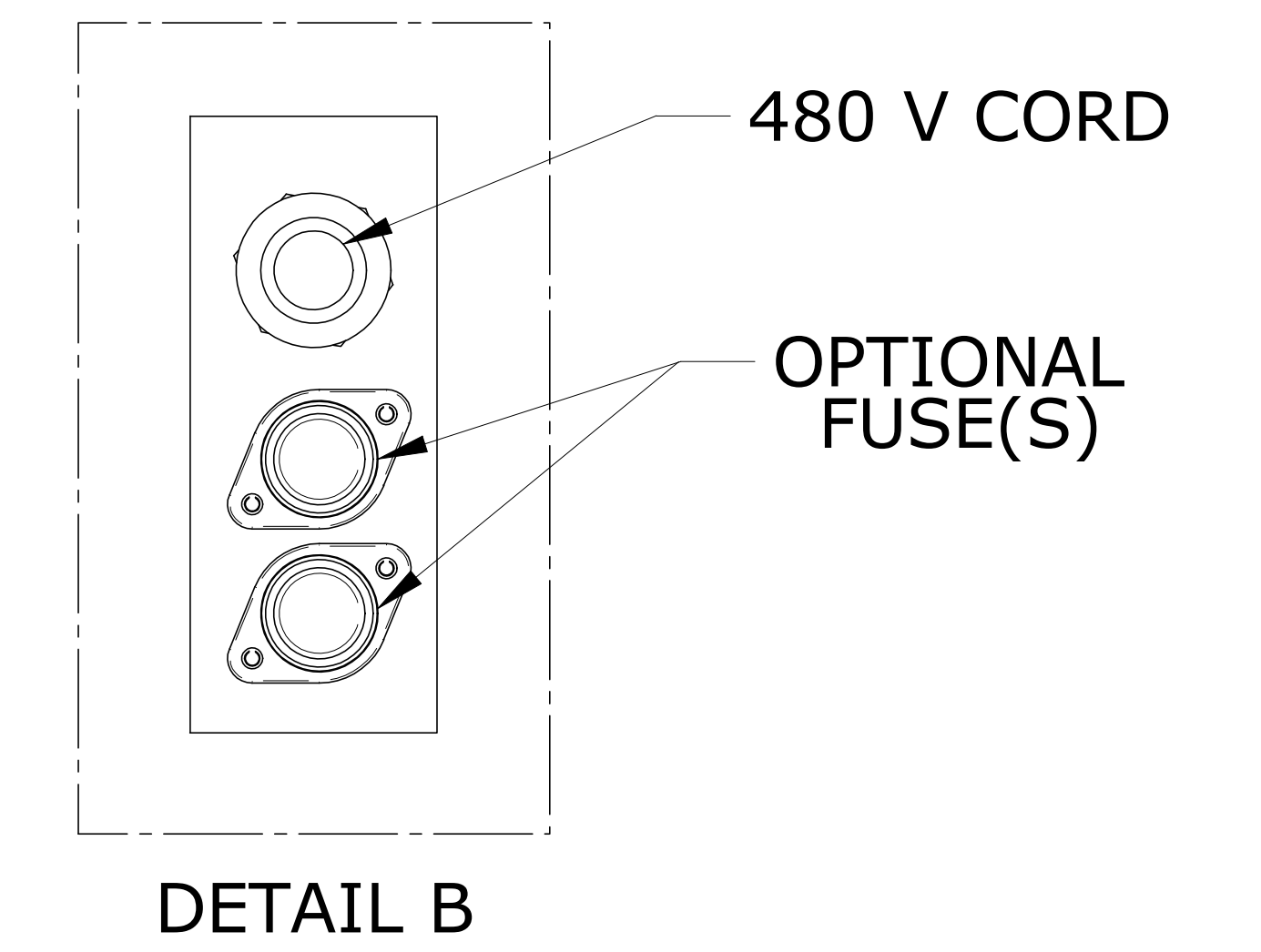
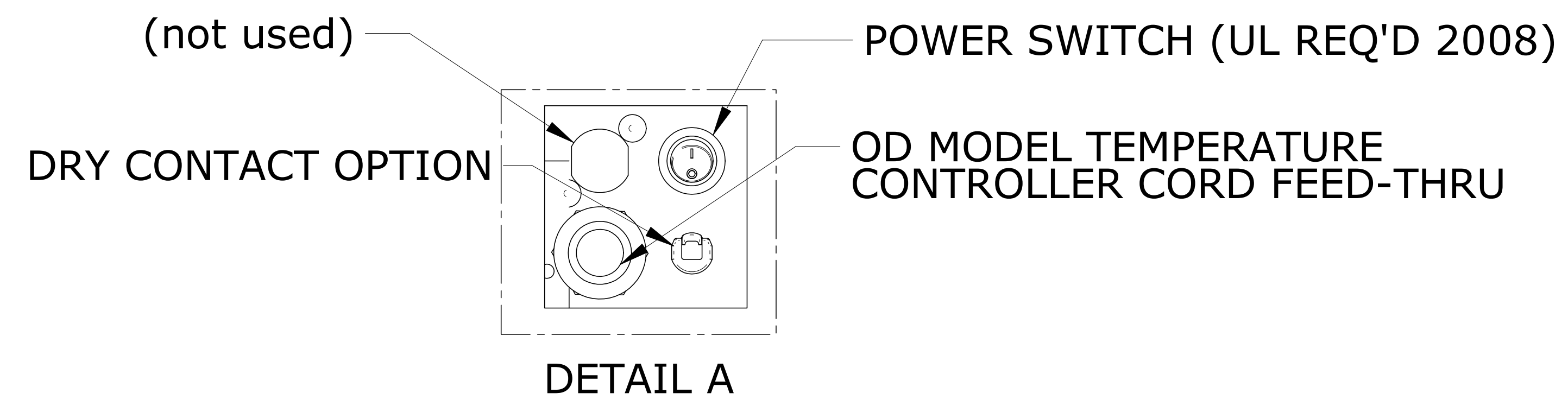
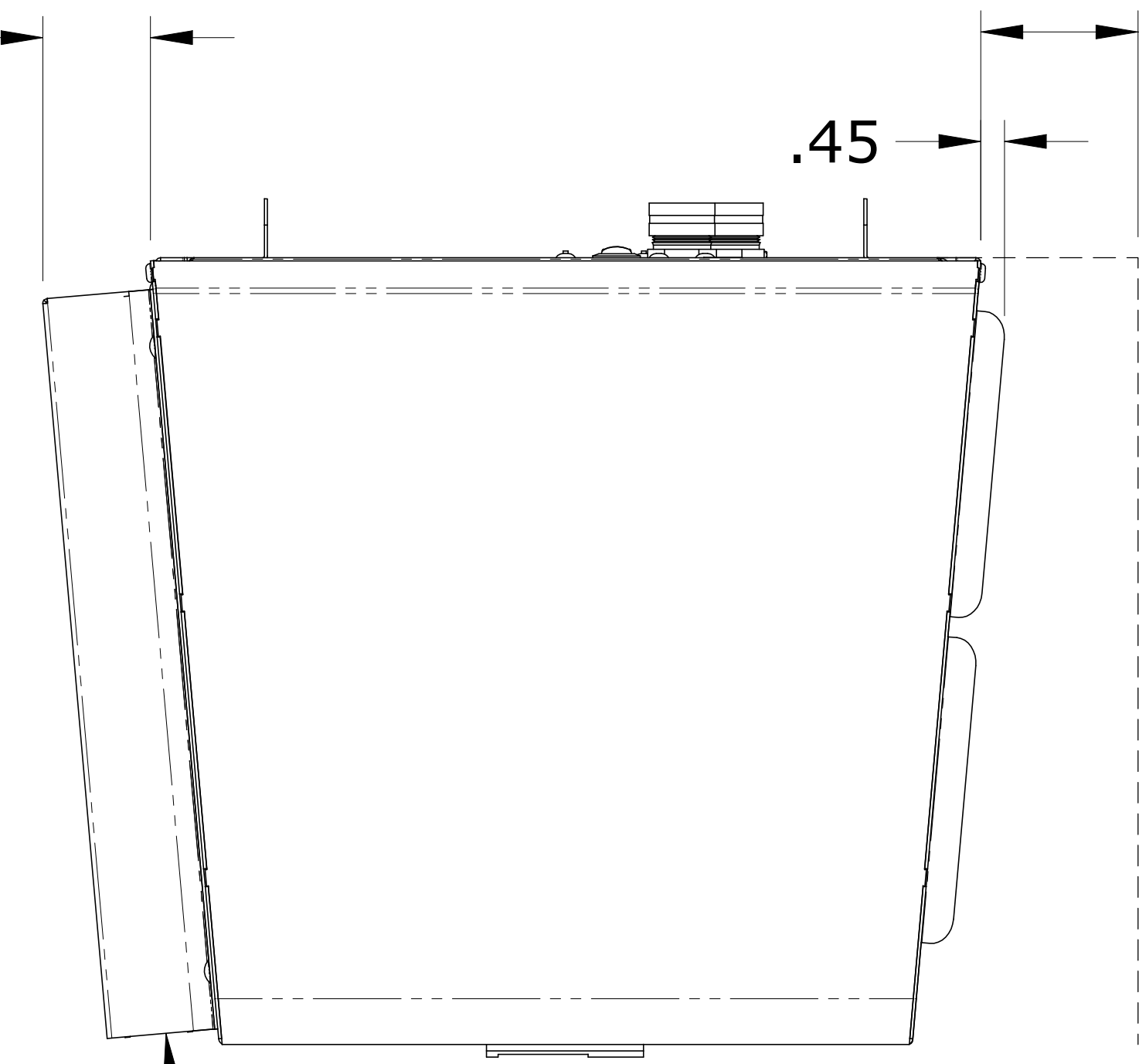
- Options:**
- ◆ High Ambient Package
 - ◆ Corrosive Environment Protection
 - ◆ External Alarm Capabilities
 - ◆ Dry Contact Remote Monitoring
 - ◆ Integrated Enclosure Heater System
 - ◆ Low Ambient Protection
 - ◆ NEMA Type 12, 4 and 4X
 - ◆ Hazardous Area Models
 - ◆ 316 Stainless Steel Construction
 - ◆ Remote Programmable Controller

Part Number	NEMA Type	BTUH	Watts	Volts/Hz.	Running Amps	Max Ambient Temperature	Dimensions H x W x D	Net Weight
ISC-HC-100-136-XX-XXX	12,04,4X	10,000	2930	120/60	16.3	125°F	48 x15.86 x15.03	135
ISC-HC-100-236-XX-XXX	12,04,4X	10,000	2930	230/60	8.12	125°F	48 x15.86 x15.03	135
ISC-HC-100-486-XX-XXX	12,04,4X	10,000	2930	480//60	4.06	125°F	56.6 x15.86 x15.03	185

Information Subject to change without notice

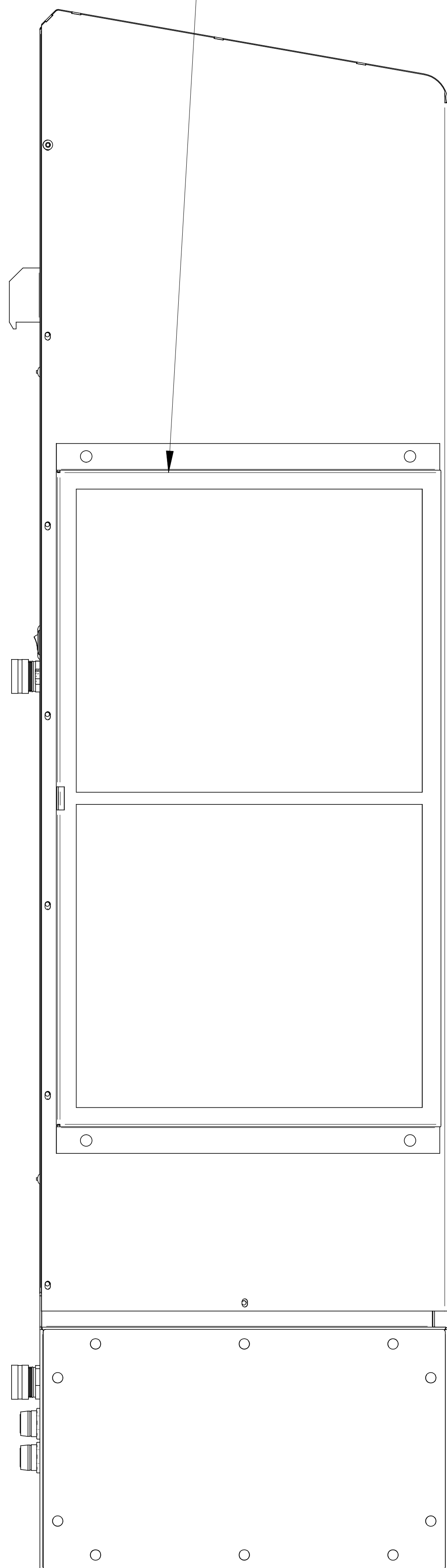
2.05
2" OPTIONAL FILTER

3.00
CLEARANCE
BOTH SIDES

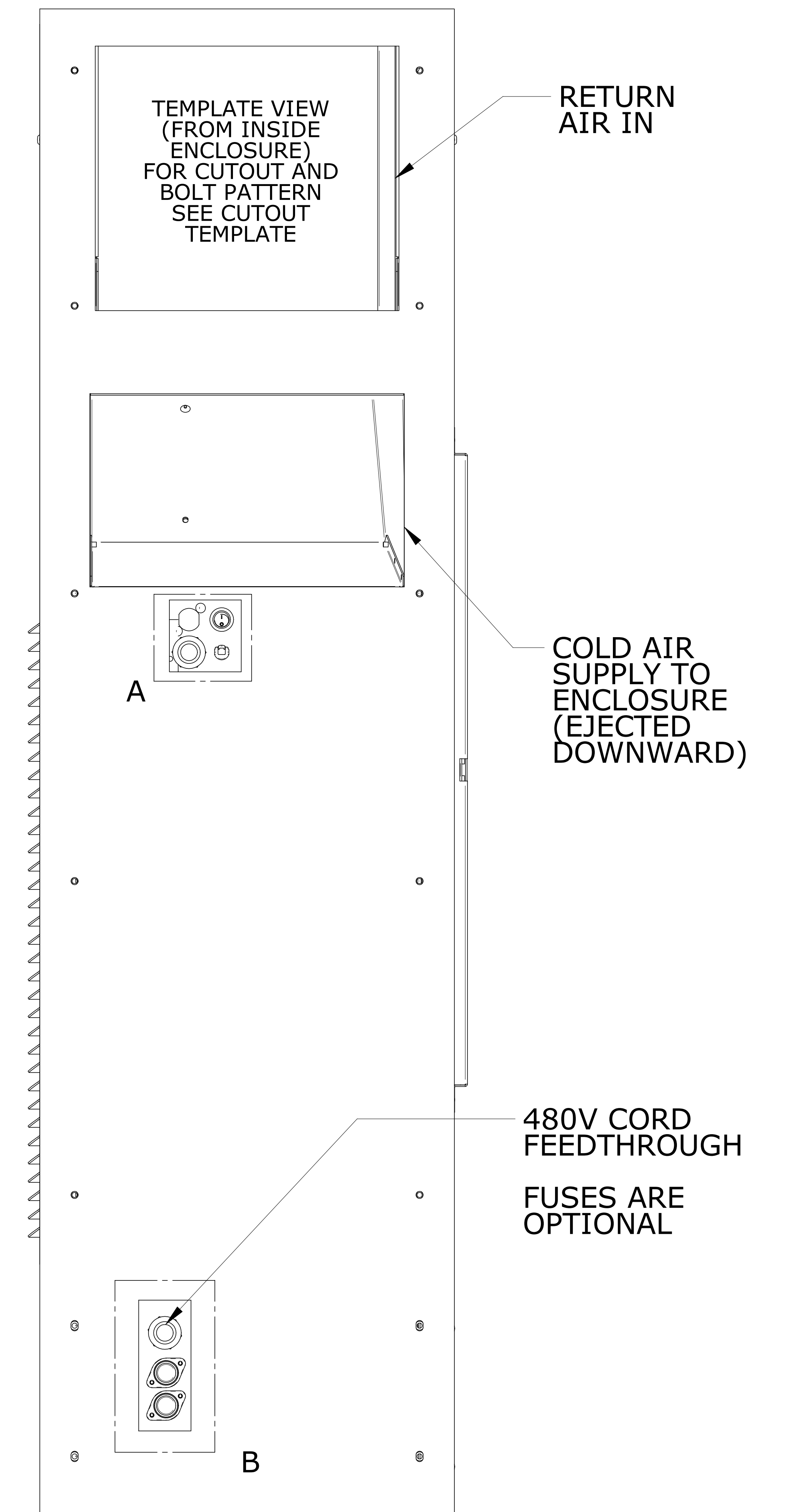
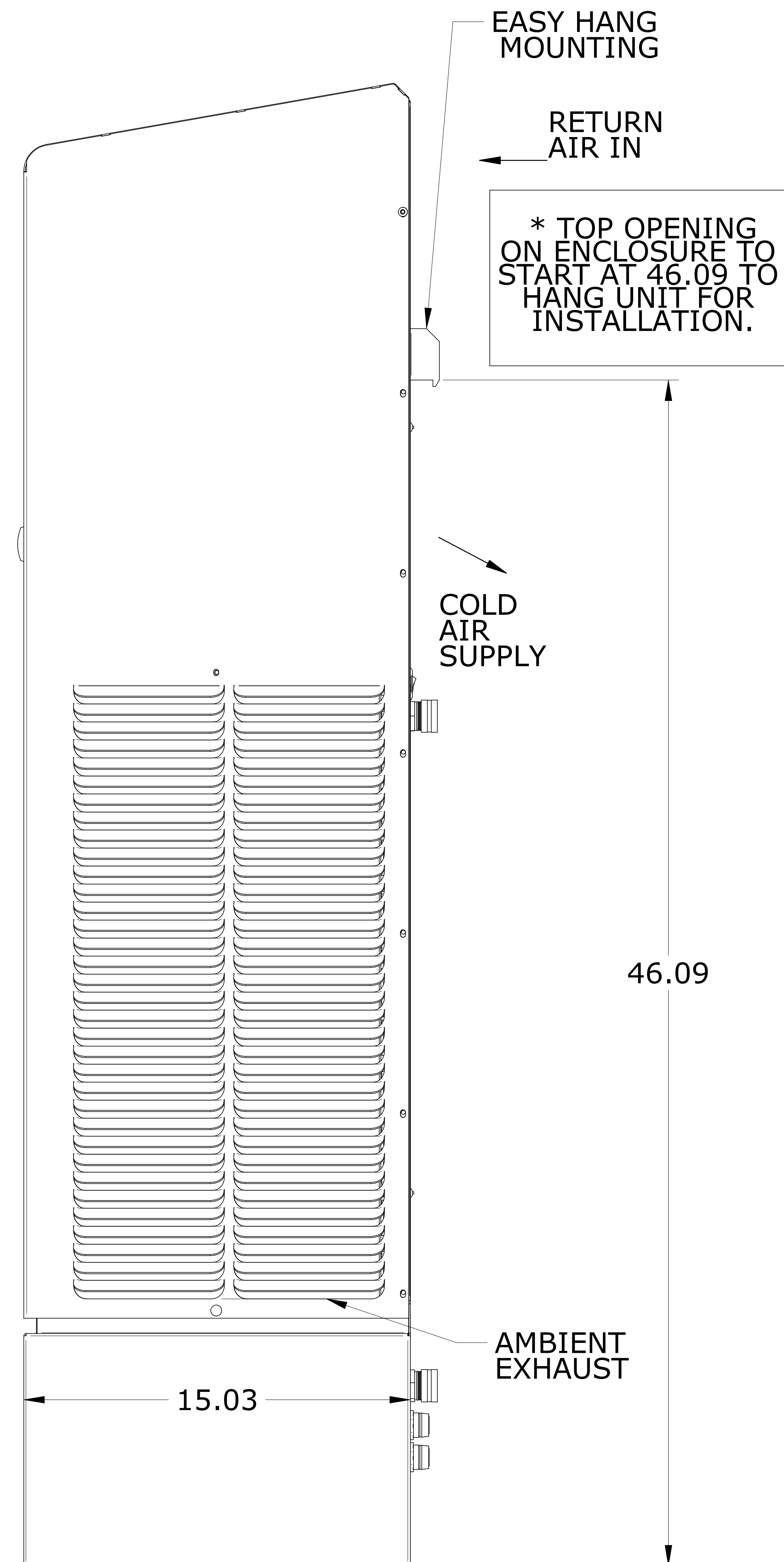
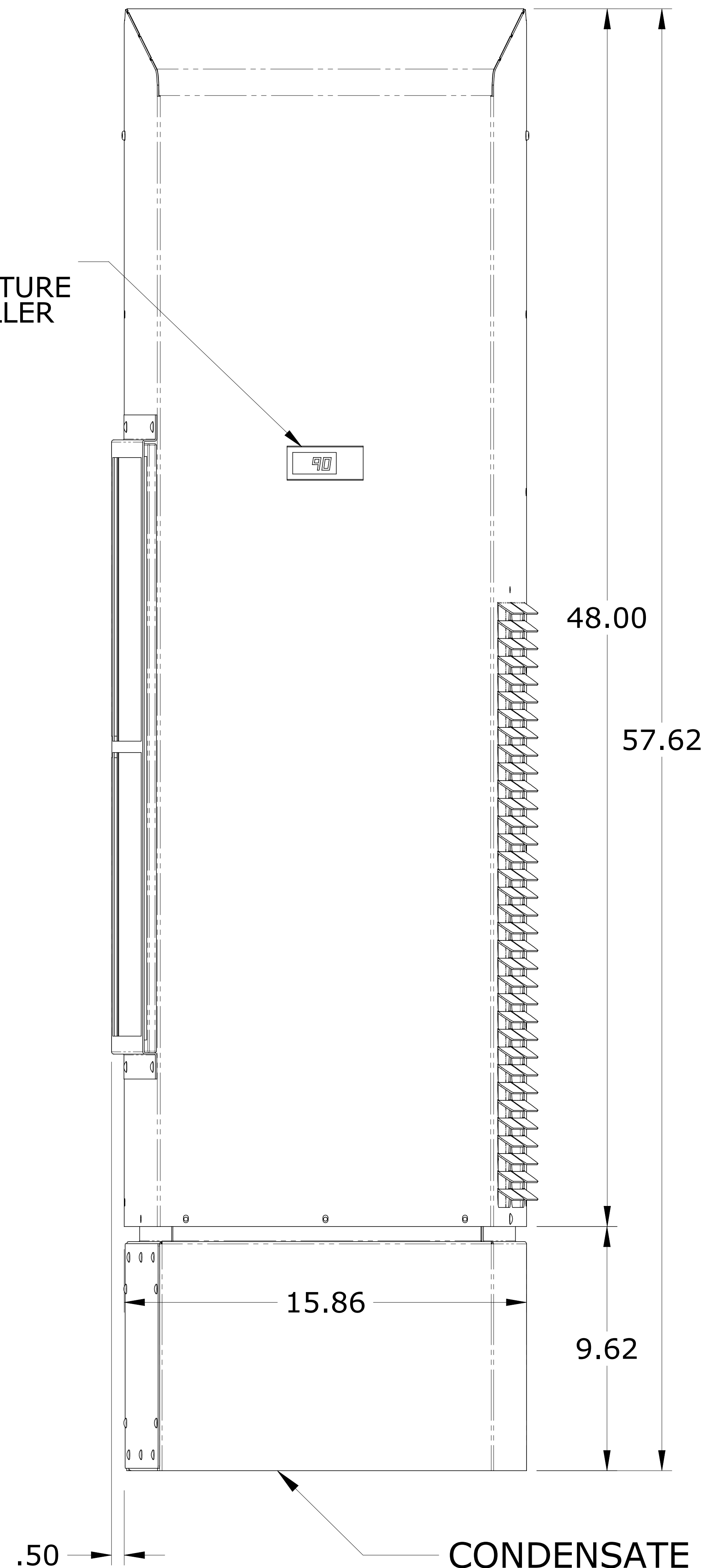


AMBIENT AIR IN.
REUSABLE FILTER.
OPTIONAL FRAME:
1) SECURITY FRAME STANDARD
ON STAINLESS STEEL
2) SLIDING FRAME STANDARD
ON PAINTED
3) OPTIONAL 2" FILTER
WITH SLIDING FRAME ONLY

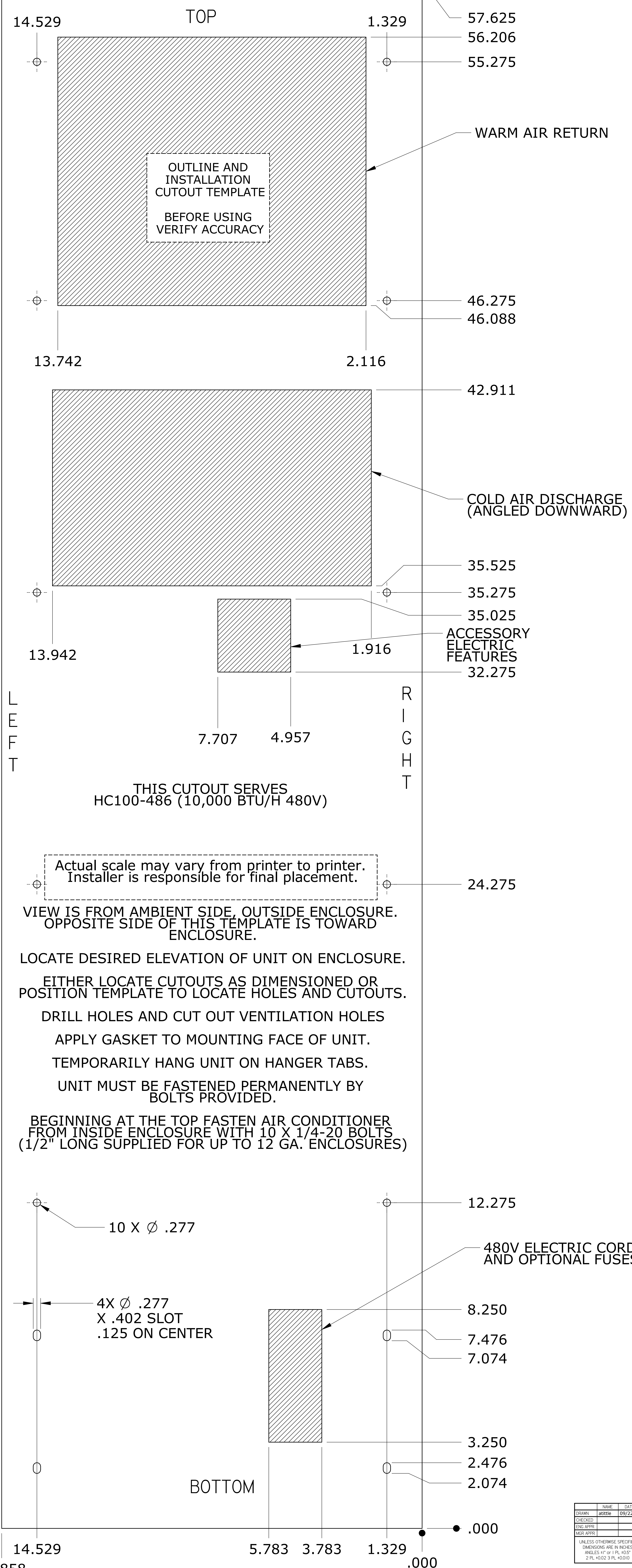
OPTIONAL 2" PLEATED FILTER.
SLIDING FRAME ONLY.



DIGITAL
TEMPERATURE
CONTROLLER



TITLE			HIGH CAPACITY 480 V HC100-486
SIZE	DWG NO	REV	
136" x 100"	HC100-486		
SCALE:	WEIGHT:	SHEET 1 OF 1	



DRAWN	NAME	DATE	
CHECKED	stittie	09/22/08	
ENG APPR			
MGR APPR			
UNLESS OTHERWISE SPECIFIED DIMENSIONS ARE IN INCHES ANGLES 11° or 1 PL ±0.5° 2 PL ±0.02 3 PL ±0.010			TITLE INSTALLATION TEMPLATE HC100-486 SHEET NO. HC100-486 CUTOUT FILE: hsc_nc_100-486_cutout.dwg SCALE: WEIGHT: SHEET 1 OF 1