

L E F T R I G H T

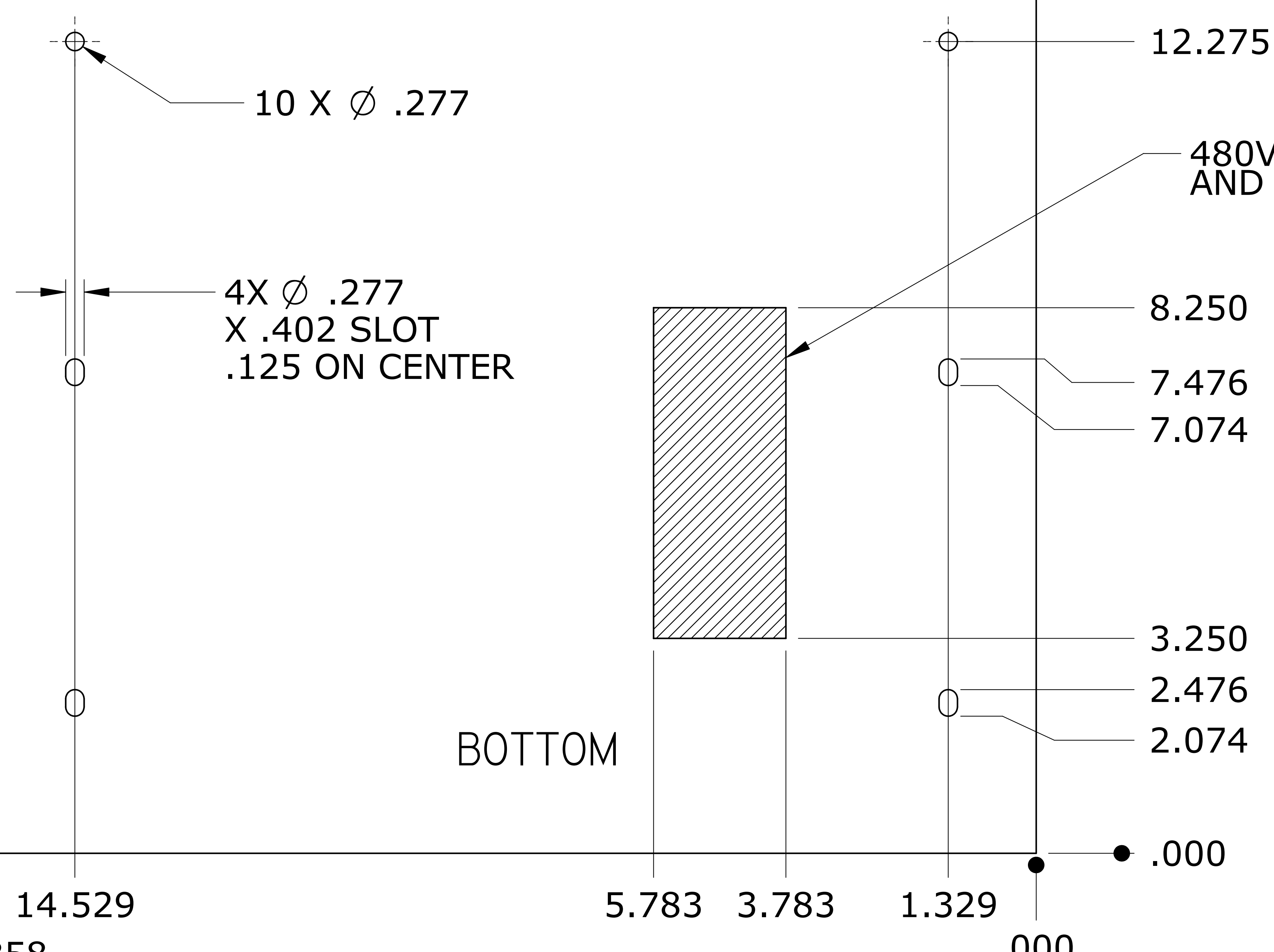
THIS CUTOUT SERVES  
HC120-486 (12,000 BTU/H 480V)

Actual scale may vary from printer to printer.  
Installer is responsible for final placement.

VIEW IS FROM AMBIENT SIDE, OUTSIDE ENCLOSURE.  
OPPOSITE SIDE OF THIS TEMPLATE IS TOWARD ENCLOSURE.

- LOCATE DESIRED ELEVATION OF UNIT ON ENCLOSURE.
- EITHER LOCATE CUTOUTS AS DIMENSIONED OR POSITION TEMPLATE TO LOCATE HOLES AND CUTOUTS.
- DRILL HOLES AND CUT OUT VENTILATION HOLES
- APPLY GASKET TO MOUNTING FACE OF UNIT.
- TEMPORARILY HANG UNIT ON HANGER TABS.
- UNIT MUST BE FASTENED PERMANENTLY BY BOLTS PROVIDED.

BEGINNING AT THE TOP FASTEN AIR CONDITIONER FROM INSIDE ENCLOSURE WITH 10 X 1/4-20 BOLTS (1/2" LONG SUPPLIED FOR UP TO 12 GA. ENCLOSURES)



DRAWN	NAME	DATE	
CHECKED	stittie	09/22/08	
ENG APPR			TITLE
MGR APPR			INSTALLATION TEMPLATE HC120-486
UNLESS OTHERWISE SPECIFIED DIMENSIONS ARE IN INCHES ANGLES 11° or 1 PL ±0.5° 2 PL ±0.02 3 PL ±0.010			SCALE
			WEIGHT
			SHEET 1 OF 1