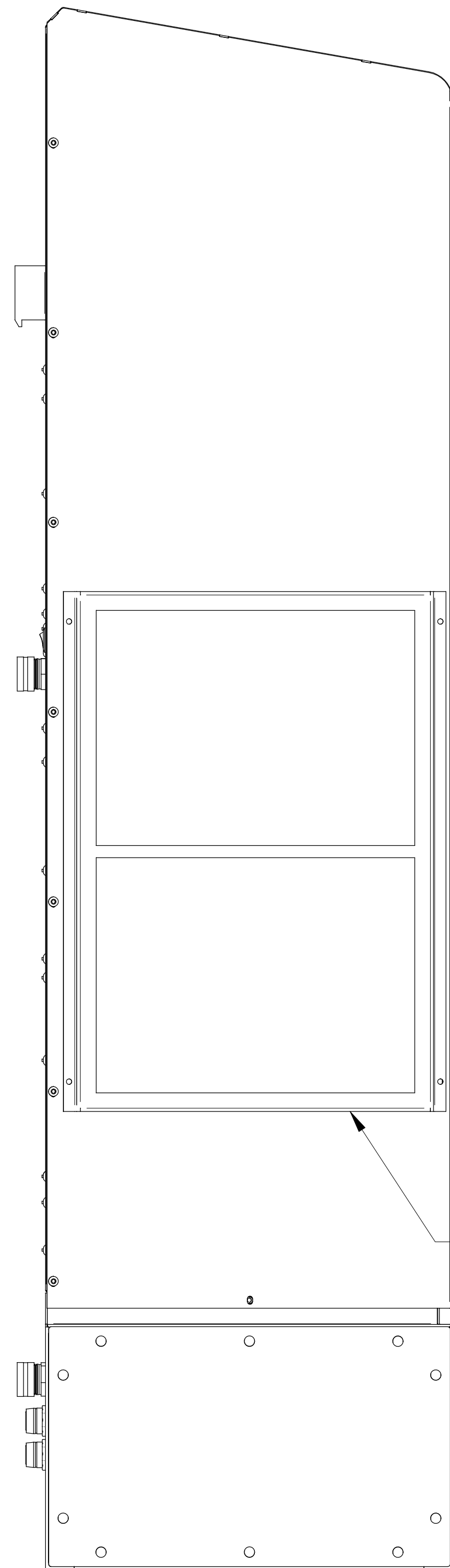
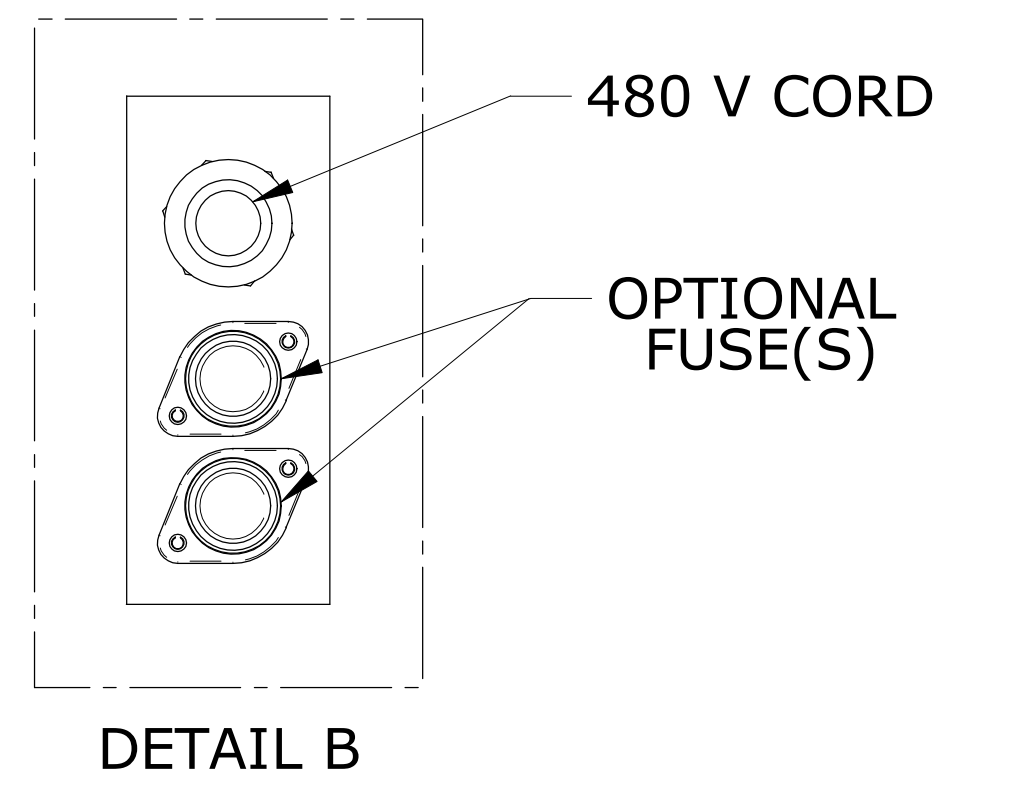
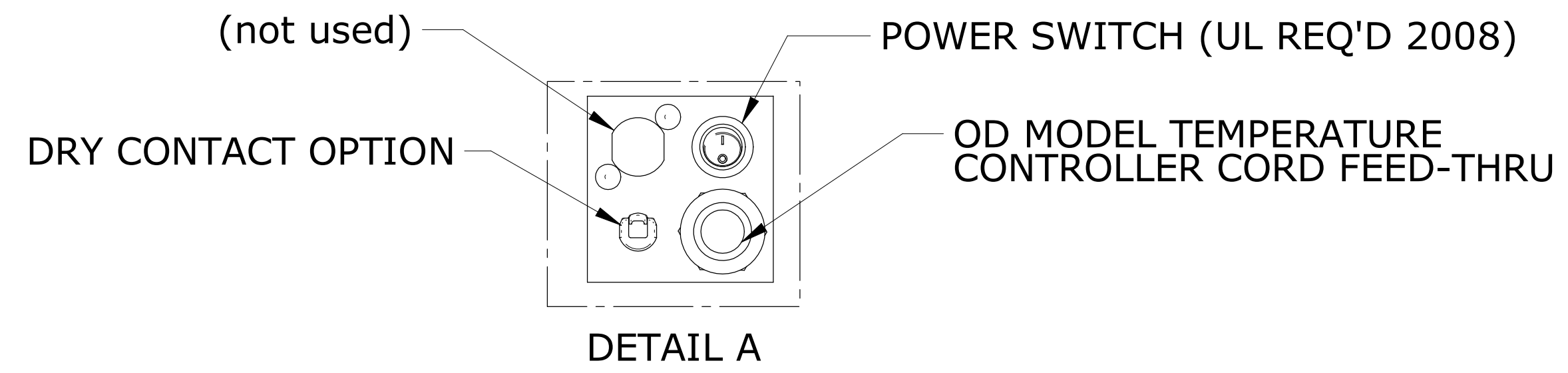
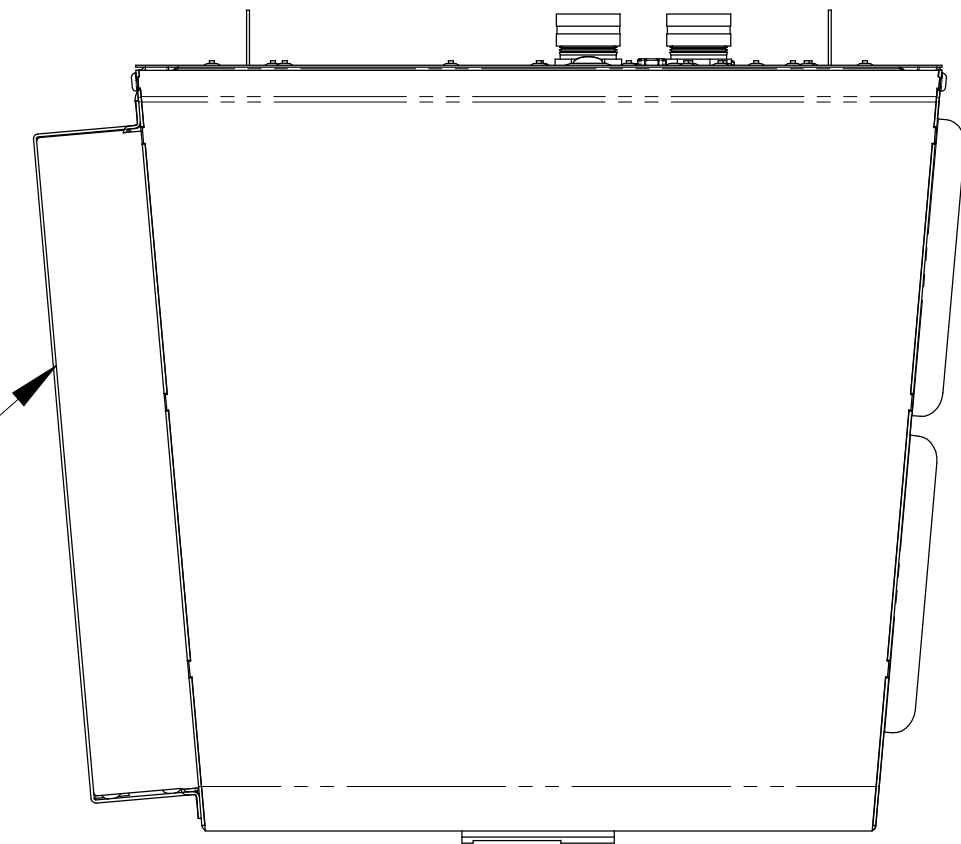
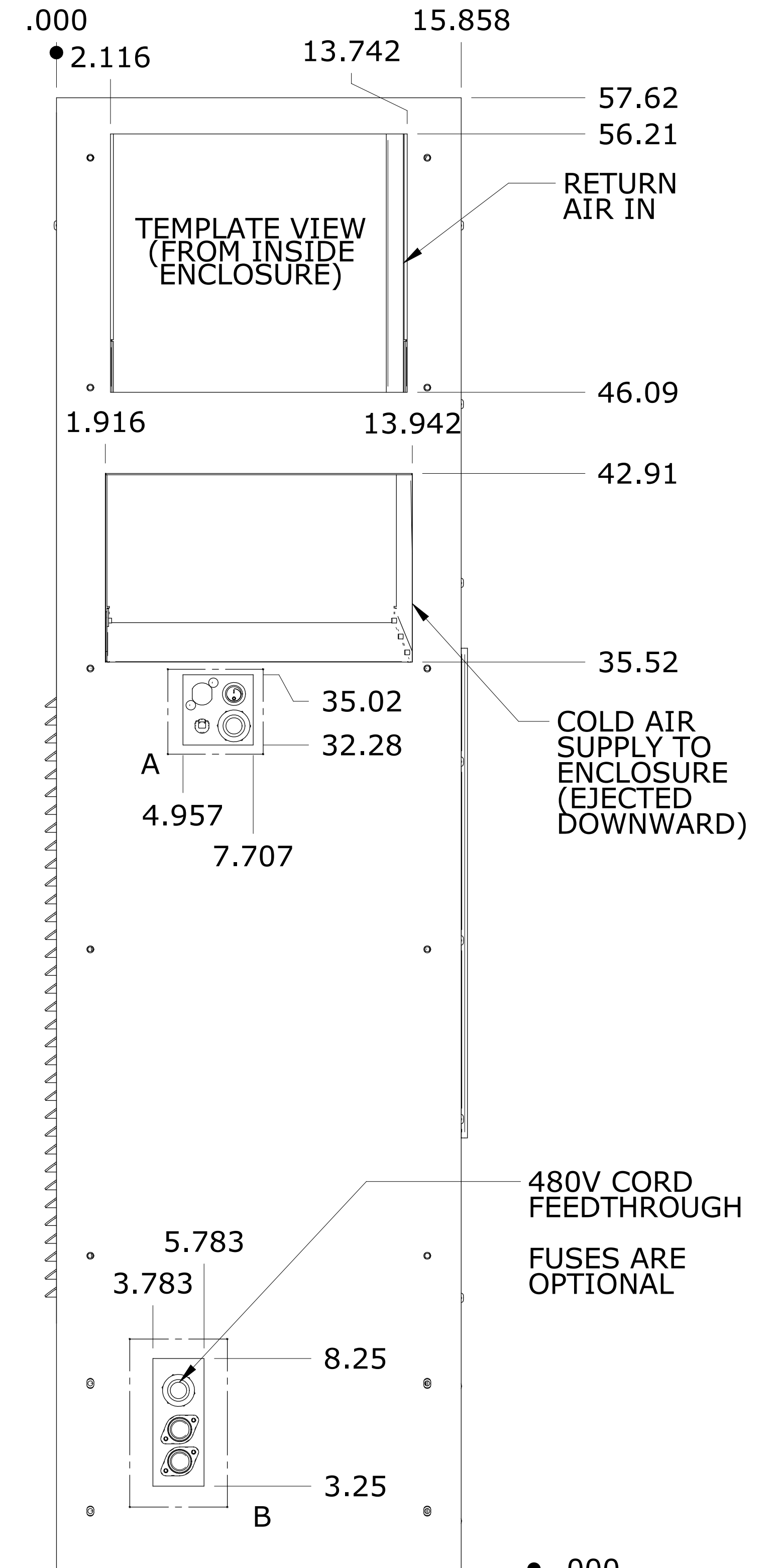
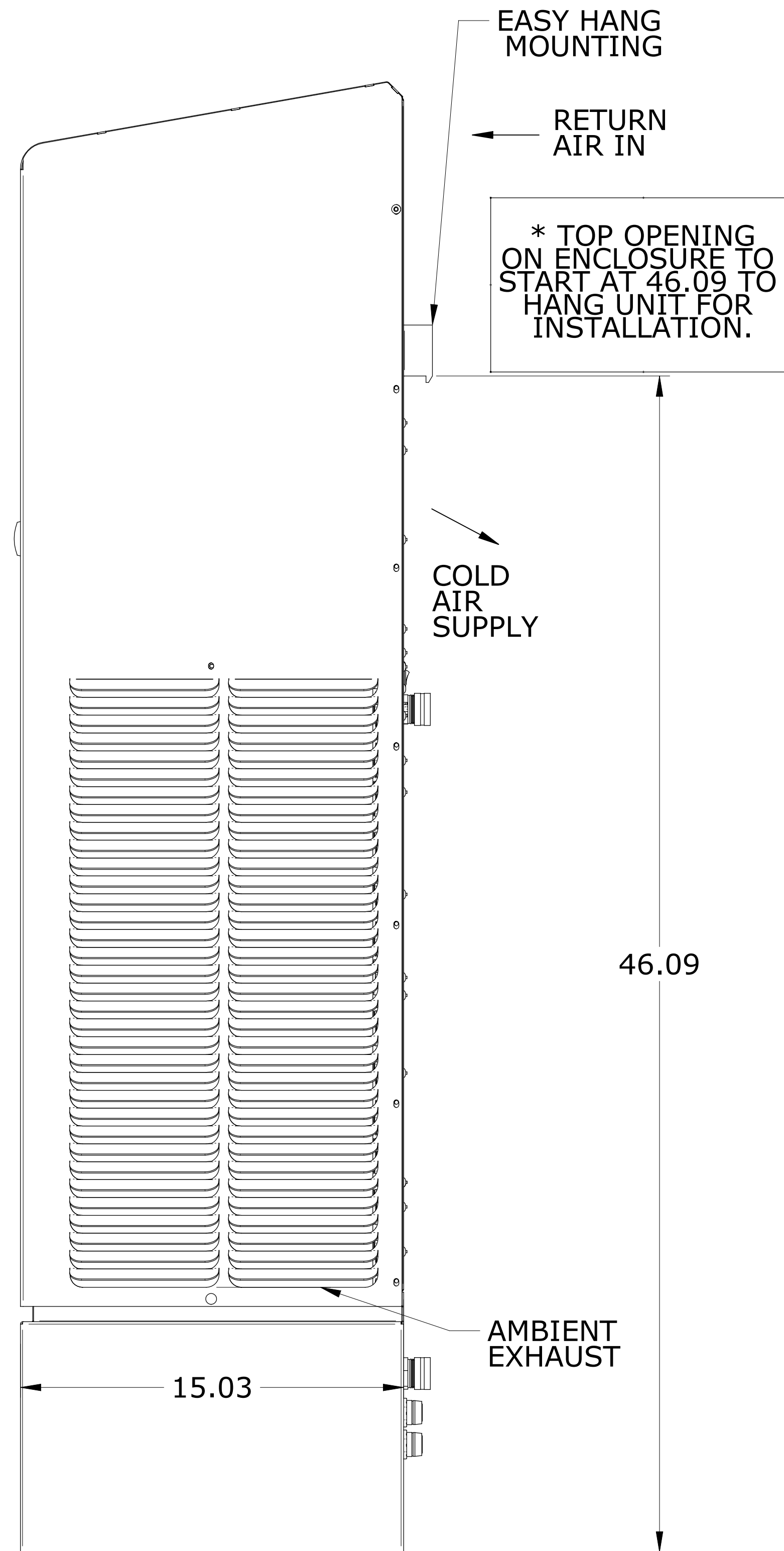
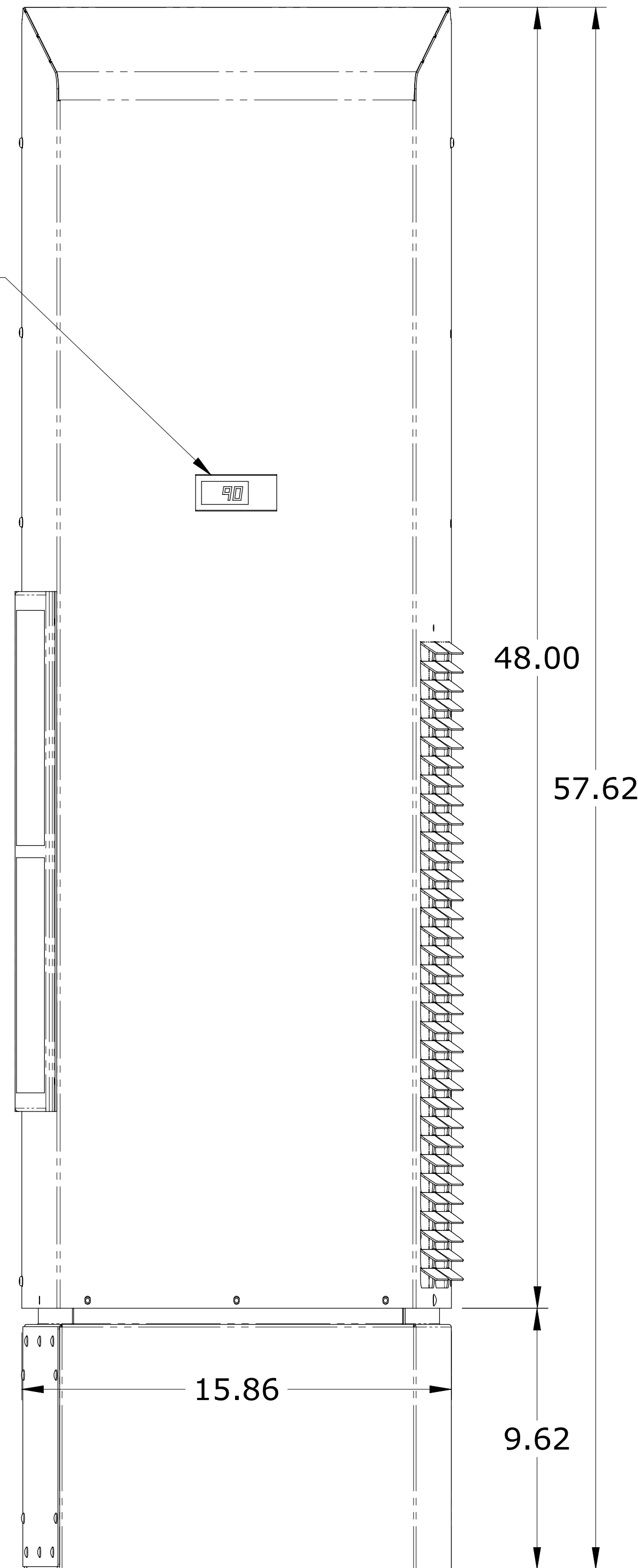


OPTIONAL 2" PLEATED FILTER (REMOVES FROM TOP)



DIGITAL TEMPERATURE CONTROLLER

AMBIENT AIR IN. REUSABLE FILTER. OPTIONAL FRAME: 1) SCREW DOWN SECURITY FRAME 2) SLOTTED FRAME FOR SERVICE



NAME	DATE	TITLE
DRAWN atittle	08/20/08	HC120-486 12000 BTU/H 480V
CHECKED		
ENG APPR		SIZE 136" x 88" DWG NO. <b>HC120-486</b> REV
MGR APPR		FILE NAME: isc_hc_120-486_drwg.dft
UNLESS OTHERWISE SPECIFIED DIMENSIONS ARE IN INCHES		SCALE: WEIGHT: SHEET 1 OF 2