



ENCLOSURE AIR CONDITIONERS
High Capacity Series
12,000 BTUH

**Celebrating
 20 Years of
 Excellence**

Engineered & manufactured to endure the most difficult of environments and applications. ISC air conditioners will exceed environmental requirements in applications like Steel, Food Processing, Petro-Chemical, Cement, Paper & Pulp and Plastics



**Indoor/Outdoor NEMA Type 12, 4 and 4X
 Closed Loop Systems**

Digital Temperature Controller

- ◆ Programmable set point and temperature operating controls
- ◆ Visible error and/or alarm messaging
- ◆ System status indication
- ◆ Password protection

Independent Active Condensate Management System

- ◆ Elimination of condensate
- ◆ Eradicates condensate without corrosive contact with coils

Unit Efficiency

- ◆ Pressure operated blower control reduces power inrush and saves energy
- ◆ Fully insulated & sealed cabinet
- ◆ Temperature Control Valve to provide a broad temperature range while maintaining cooling capacity
- ◆ Washable Filter Media

Industrial Construction

- ◆ Free standing rigid chassis eases maintenance
- ◆ Durable 16 gauge welded steel construction with a hard wearing powder coated finish for NEMA Type 12 and 4; 304 Stainless Steel for NEMA Type 4X
- ◆ Tamper Resistant Hardware

Compressor Protection System

- ◆ High & Low refrigerant cutoffs with fault indication
- ◆ Compressor anti short cycle protection
- ◆ Compressor run capacitors reduce power inrush, save energy and increase compressor life

1 Year Warranty

Options:

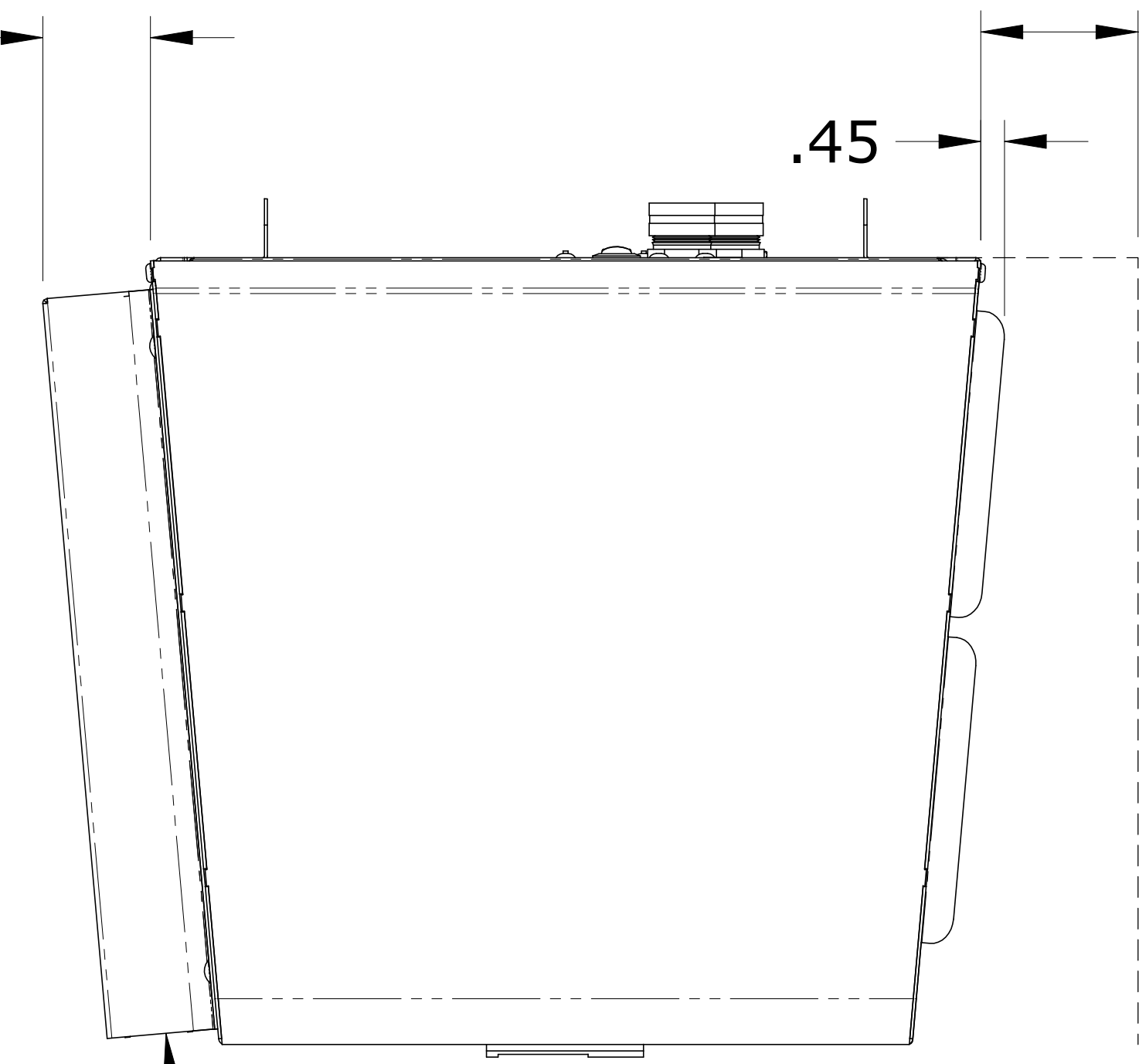
- ◆ High Ambient Package
- ◆ Corrosive Environment Protection
- ◆ External Alarm Capabilities
- ◆ Dry Contact Remote Monitoring
- ◆ Integrated Enclosure Heater System
- ◆ Low Ambient Protection
- ◆ NEMA Type 12, 4 and 4X
- ◆ Hazardous Area Models
- ◆ 316 Stainless Steel Construction
- ◆ Remote Programmable Controller

Part Number	NEMA Type	BTUH	Watts	Volts/ Hz.	Running Amps	Max Ambient Temperature	Dimensions H x W x D	Net Weight
ISC-HC-120-126-XX-XXX	12,04,4X	12,000	3516	120/60	16.3	125°F	48 x15.86 x15.03	135
ISC-HC-120-236-XX-XXX	12,04,4X	12,000	3516	230/60	8.12	125°F	48 x15.86 x15.03	135
ISC-HC-120-486-XX-XXX	12,04,4X	12,000	3516	486/60	4.06	125°F	56.6 x15.86 x15.03	185

Information Subject to change without notice

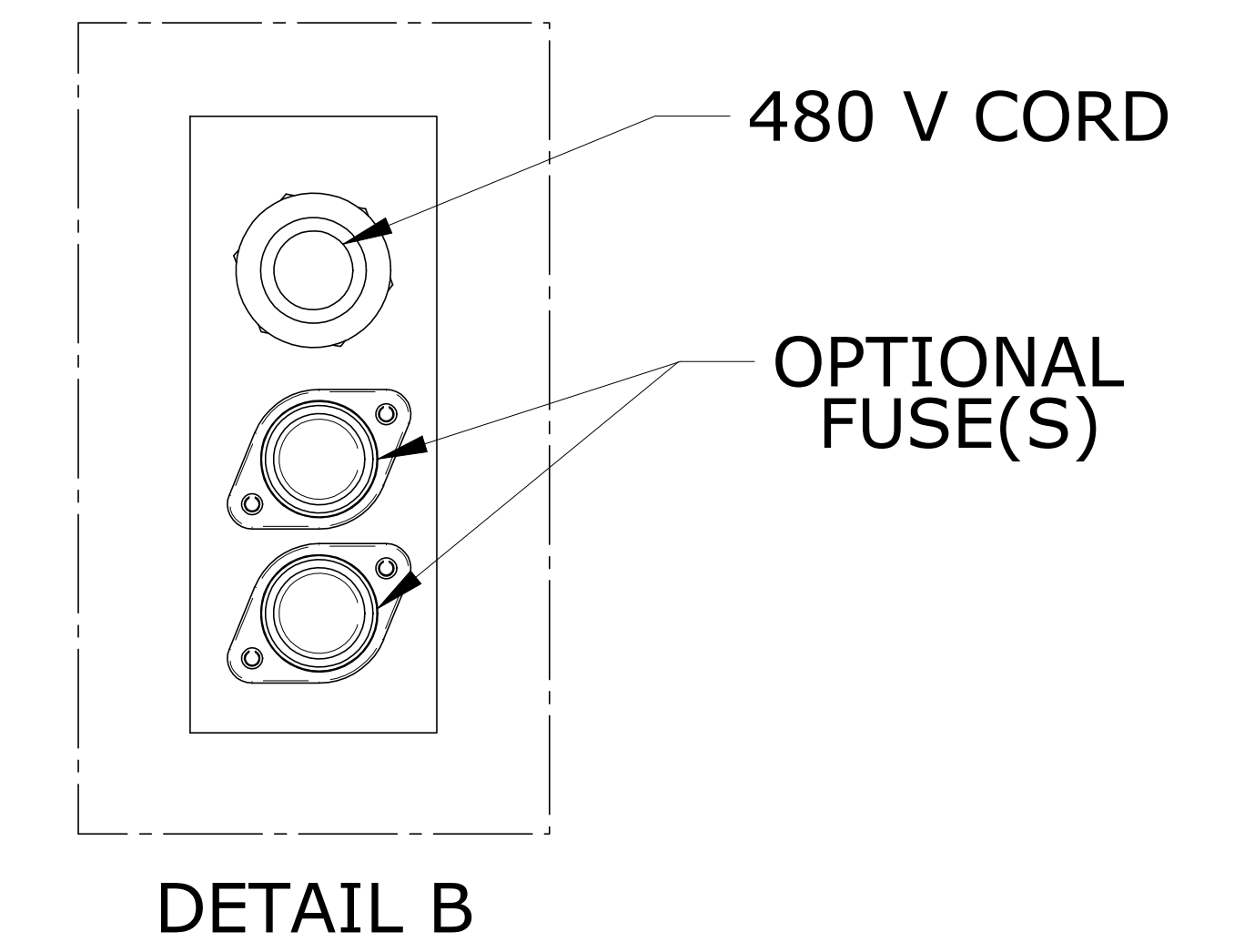
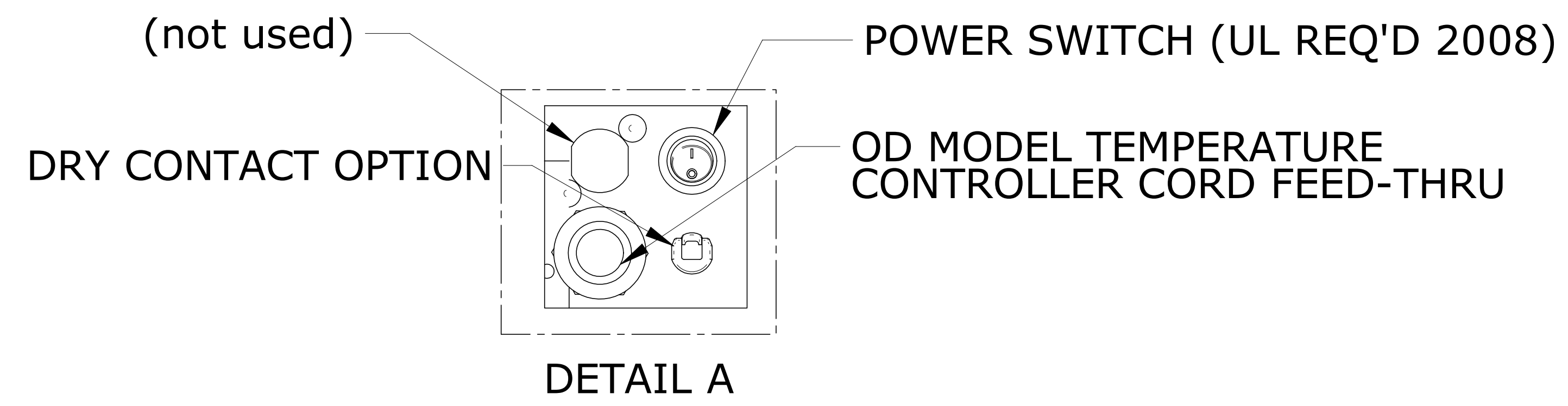
2.05
2" OPTIONAL FILTER

3.00
CLEARANCE
BOTH SIDES

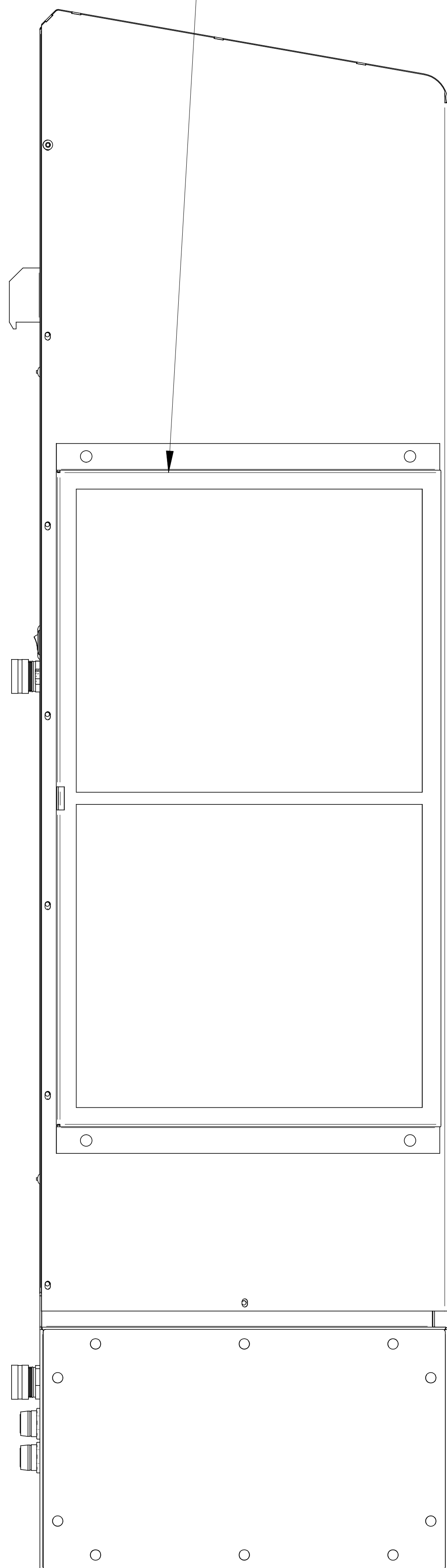


.45

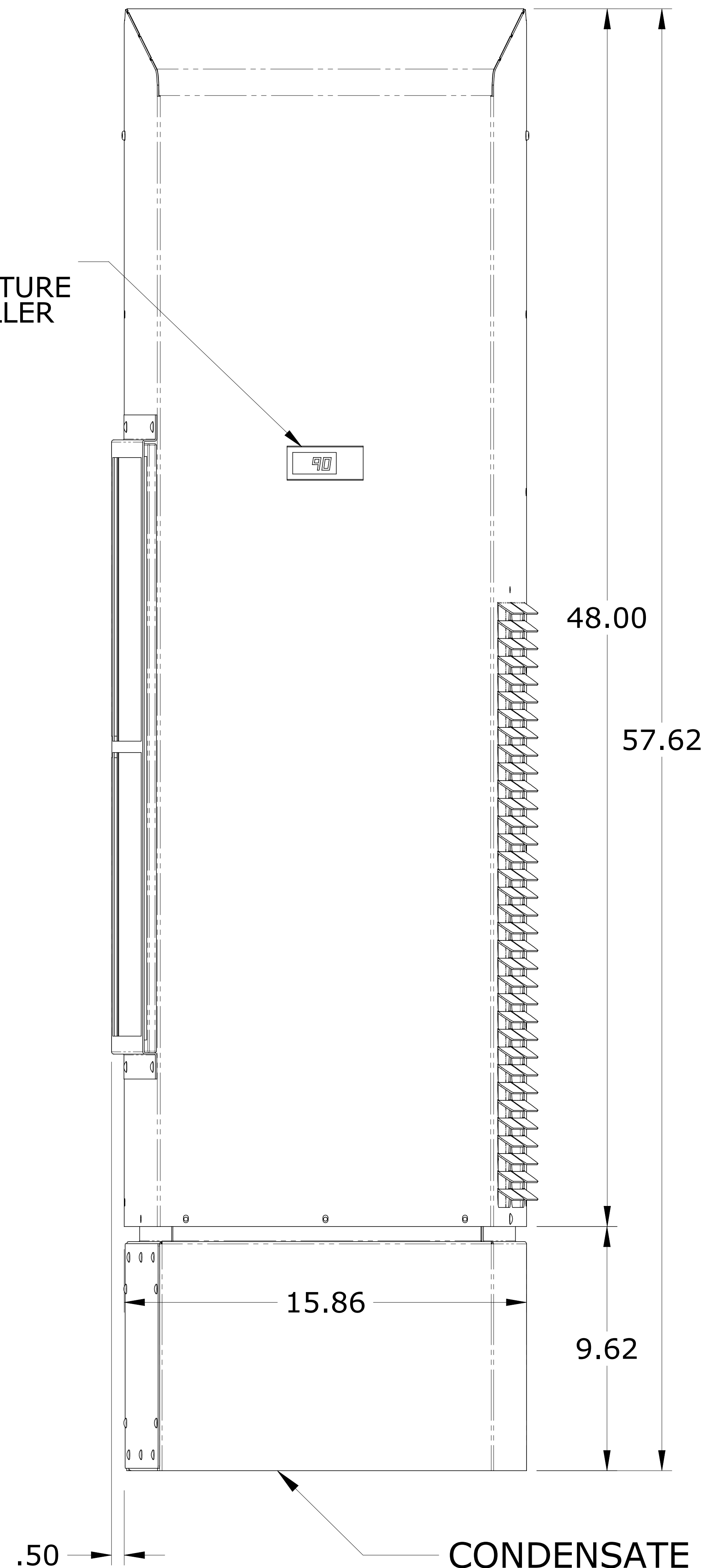
OPTIONAL 2" PLEATED FILTER.
SLIDING FRAME ONLY.



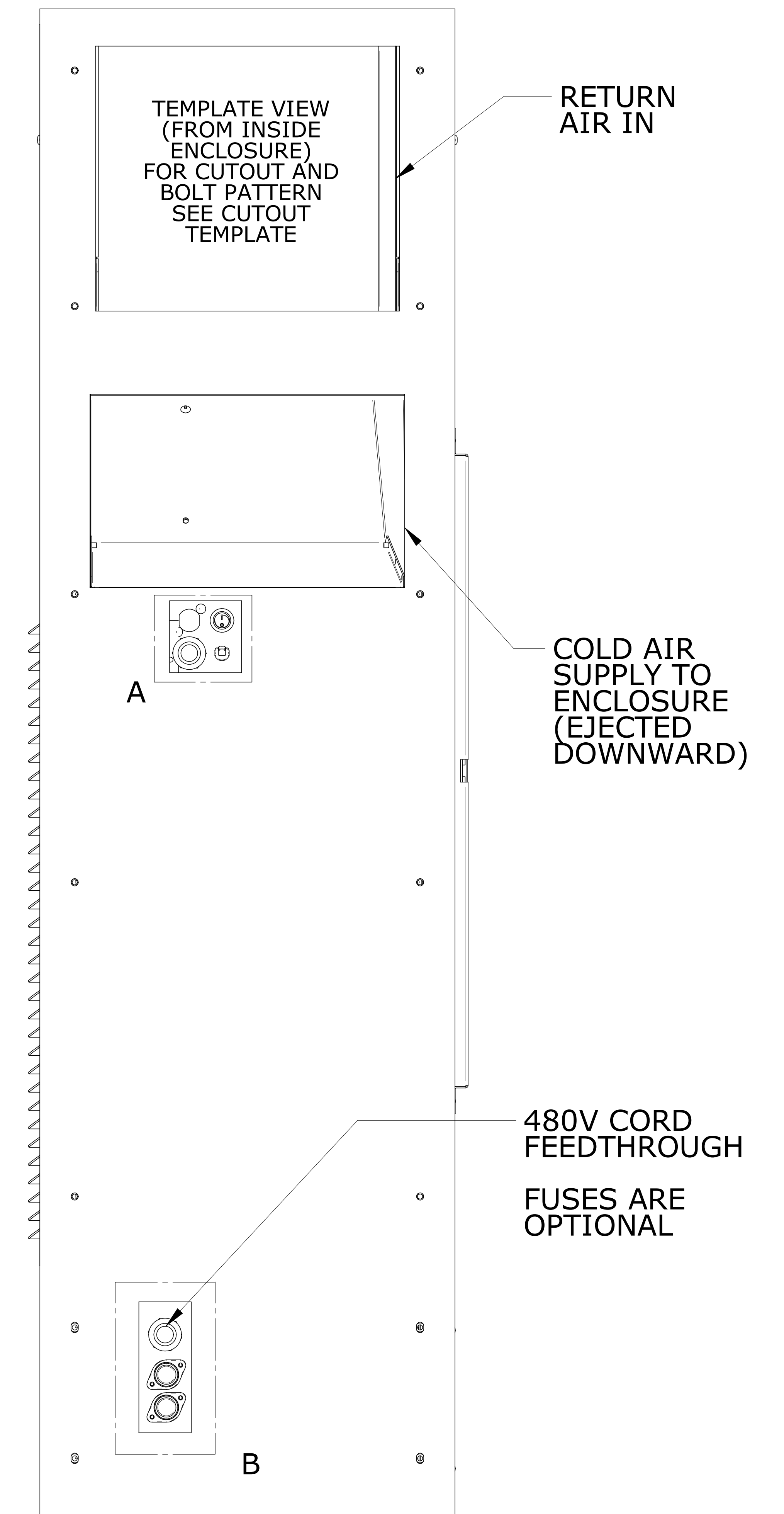
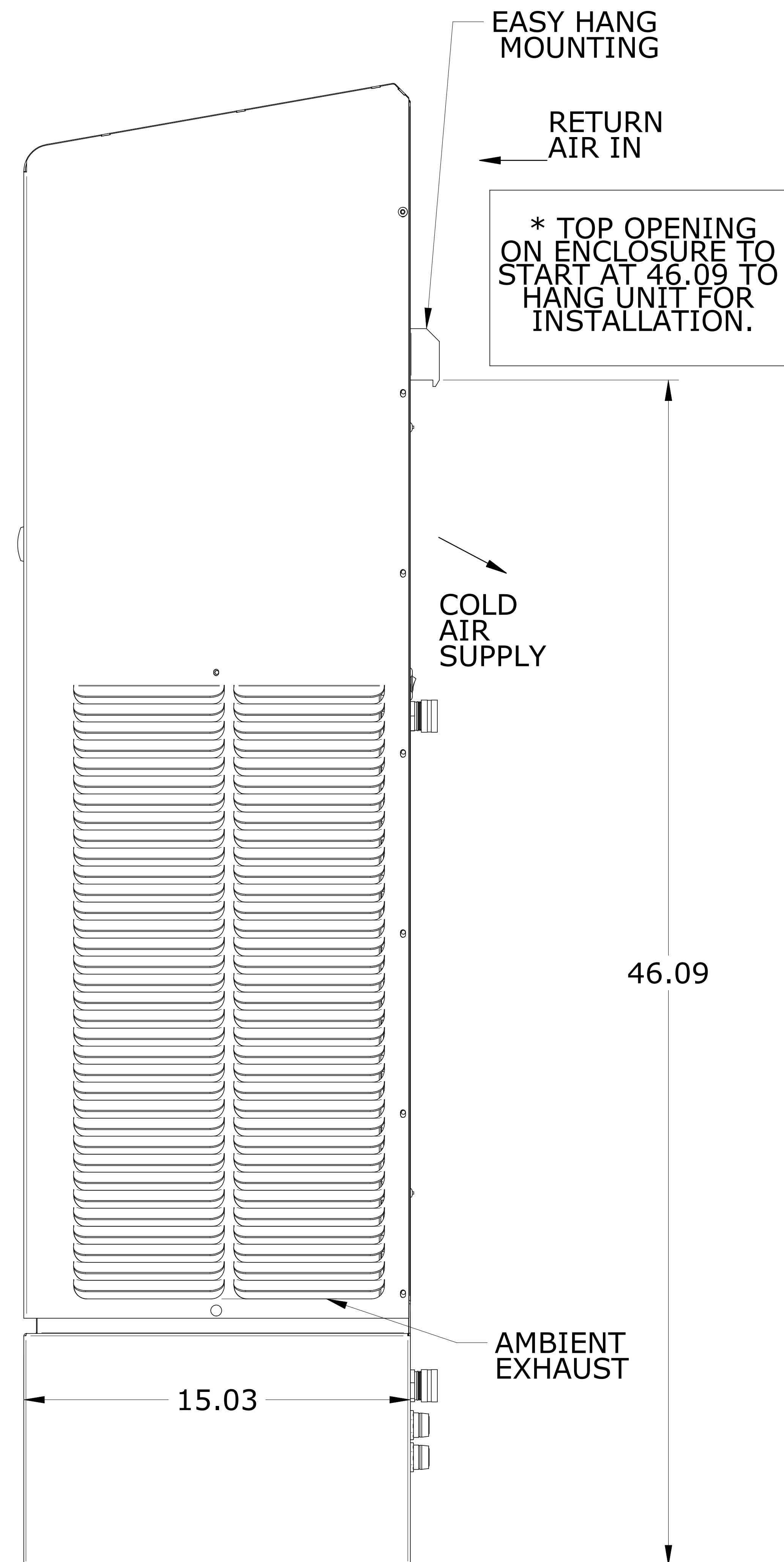
AMBIENT AIR IN.
REUSABLE FILTER.
OPTIONAL FRAME:
1) SECURITY FRAME STANDARD
ON STAINLESS STEEL
2) SLIDING FRAME STANDARD
ON PAINTED
3) OPTIONAL 2" FILTER
WITH SLIDING FRAME ONLY



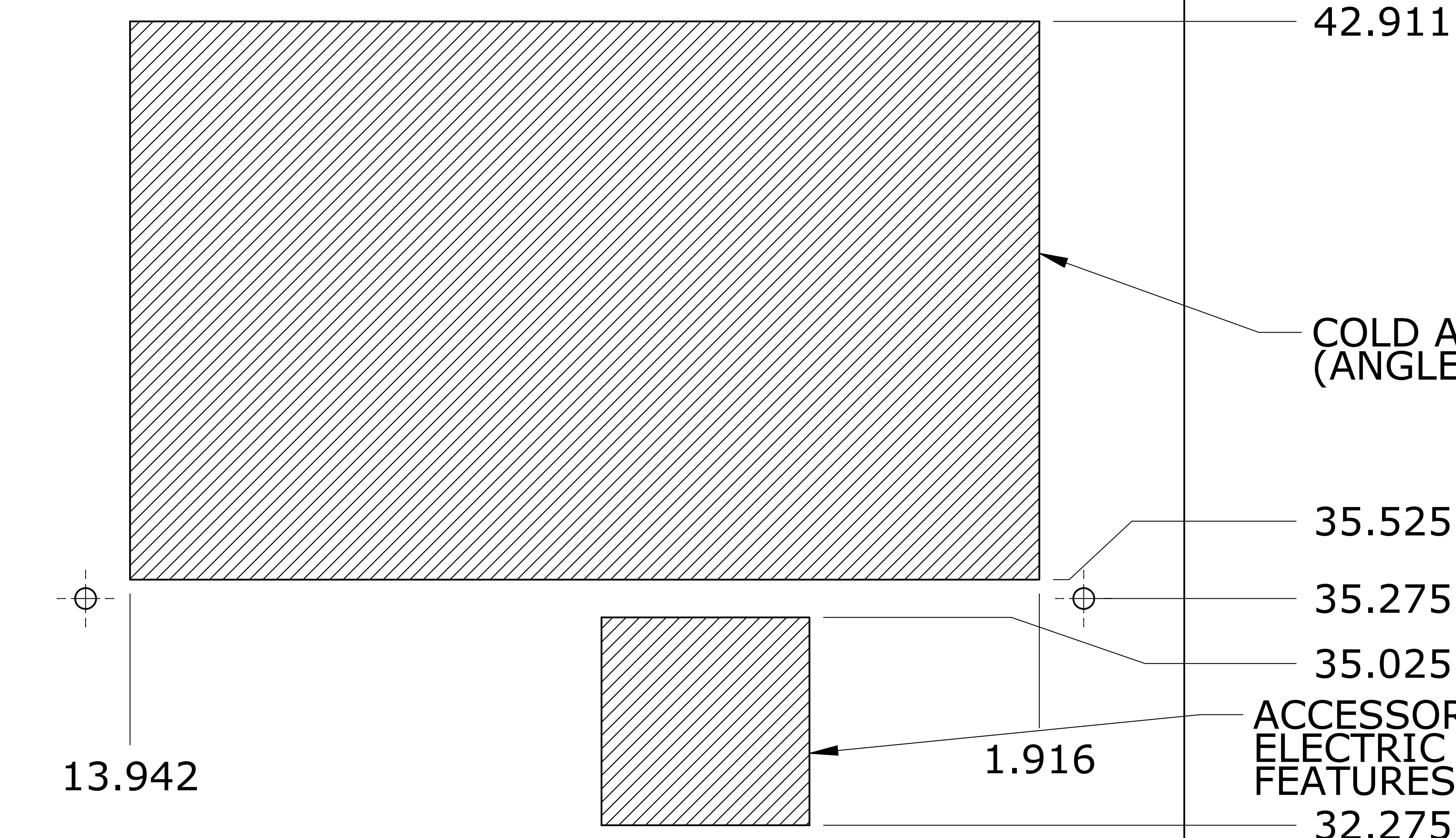
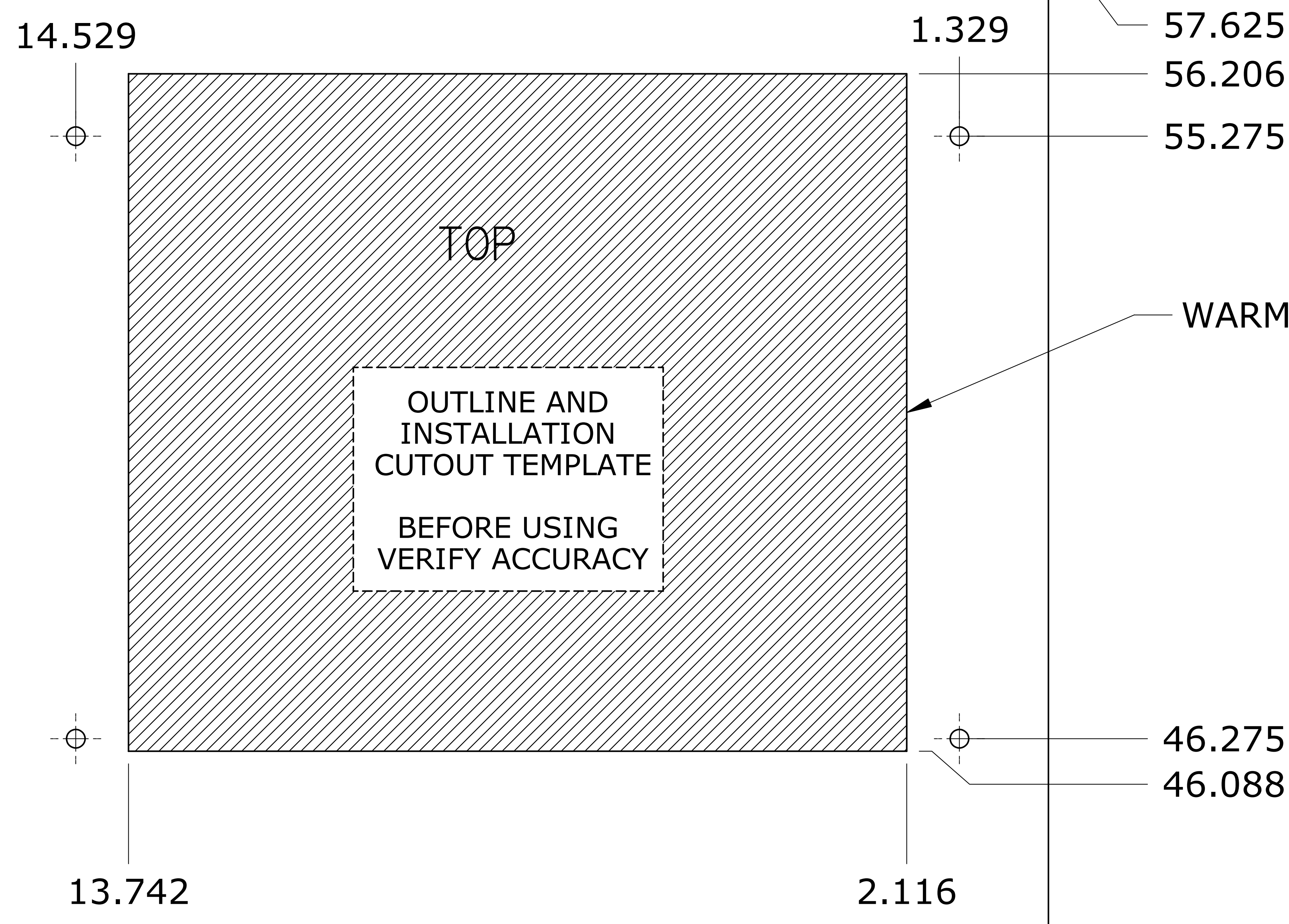
DIGITAL
TEMPERATURE
CONTROLLER



CONDENSATE EMERGENCY OVERFLOW
11/16-16 STRAIGHT THREAD
MAXIMUM THREAD DEPTH .31"



TITLE			HIGH CAPACITY 480 V HC120-486
SIZE	DWG NO	REV	
136" x 100"	HC120-486		
SCALE:	WEIGHT:	SHEET 1 OF 1	



L E F T R I G H T

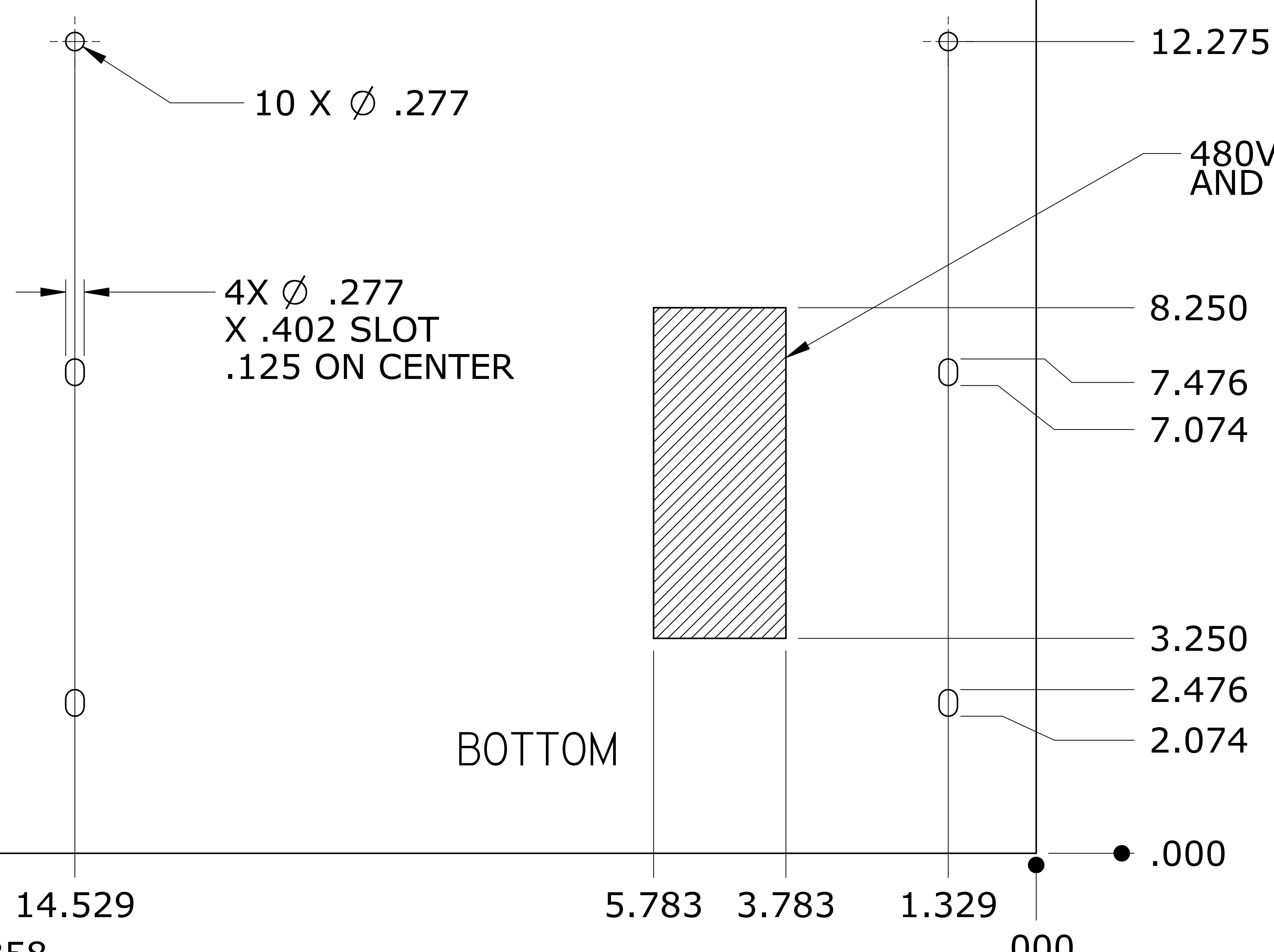
THIS CUTOUT SERVES
HC120-486 (12,000 BTU/H 480V)

Actual scale may vary from printer to printer.
Installer is responsible for final placement.

VIEW IS FROM AMBIENT SIDE, OUTSIDE ENCLOSURE.
OPPOSITE SIDE OF THIS TEMPLATE IS TOWARD ENCLOSURE.

- LOCATE DESIRED ELEVATION OF UNIT ON ENCLOSURE.
- EITHER LOCATE CUTOUTS AS DIMENSIONED OR POSITION TEMPLATE TO LOCATE HOLES AND CUTOUTS.
- DRILL HOLES AND CUT OUT VENTILATION HOLES
- APPLY GASKET TO MOUNTING FACE OF UNIT.
- TEMPORARILY HANG UNIT ON HANGER TABS.
- UNIT MUST BE FASTENED PERMANENTLY BY BOLTS PROVIDED.

BEGINNING AT THE TOP FASTEN AIR CONDITIONER FROM INSIDE ENCLOSURE WITH 10 X 1/4-20 BOLTS (1/2" LONG SUPPLIED FOR UP TO 12 GA. ENCLOSURES)



DRAWN	NAME	DATE	
CHECKED	stittie	09/22/08	
ENG APPR			TITLE
MGR APPR			INSTALLATION TEMPLATE HC120-486
UNLESS OTHERWISE SPECIFIED DIMENSIONS ARE IN INCHES ANGLES 11° or 1 PL ±0.5° 2 PL ±0.02 3 PL ±0.010			SCALE
			WEIGHT
			SHEET 1 OF 1