

THIS CUTOUT SERVES
HC155-486 (15,000 BTU/H 480V)

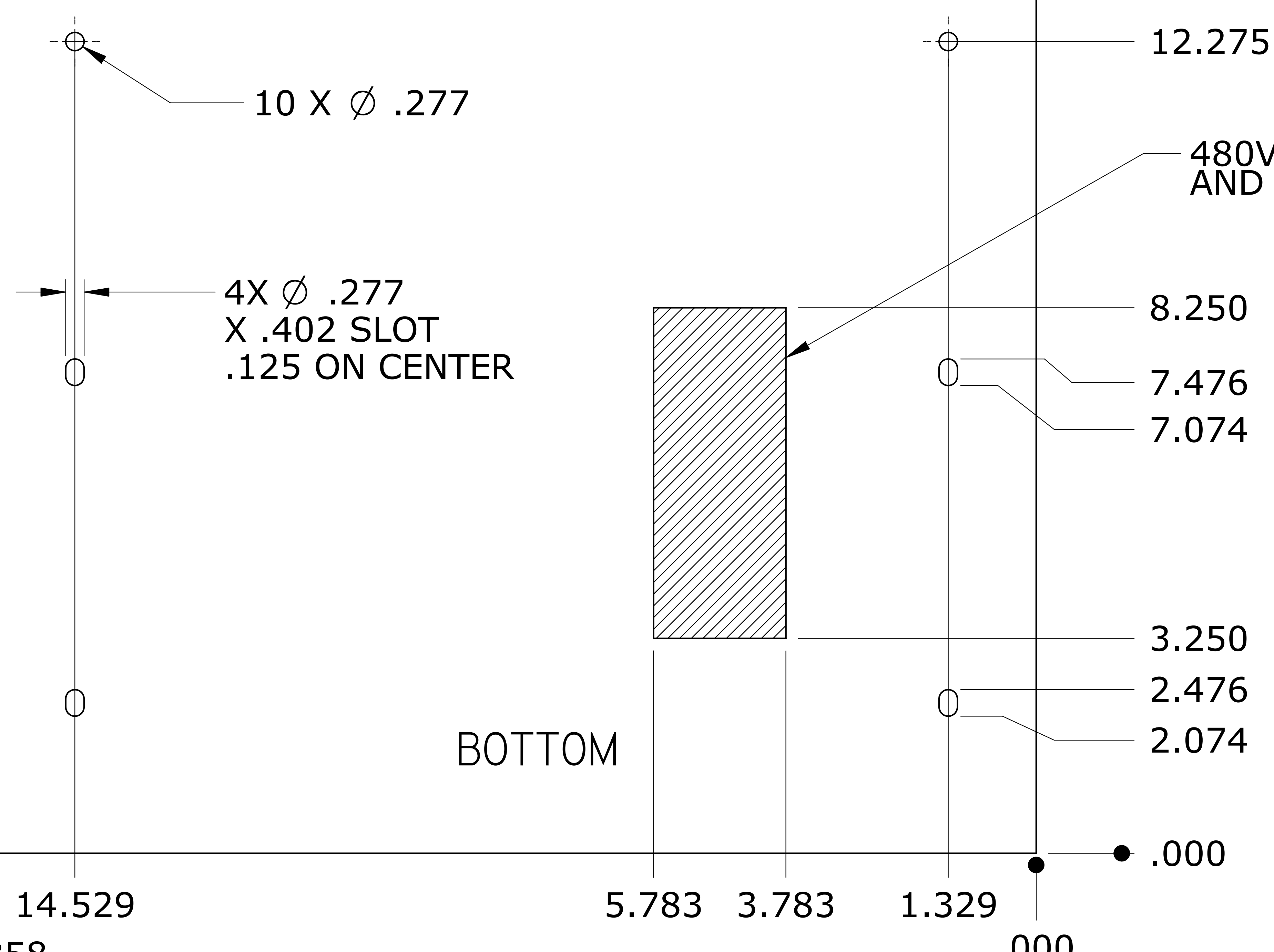
Actual scale may vary from printer to printer.
Installer is responsible for final placement.

VIEW IS FROM AMBIENT SIDE, OUTSIDE ENCLOSURE.
OPPOSITE SIDE OF THIS TEMPLATE IS TOWARD ENCLOSURE.

LOCATE DESIRED ELEVATION OF UNIT ON ENCLOSURE.
EITHER LOCATE CUTOUTS AS DIMENSIONED OR POSITION TEMPLATE TO LOCATE HOLES AND CUTOUTS.

DRILL HOLES AND CUT OUT VENTILATION HOLES
APPLY GASKET TO MOUNTING FACE OF UNIT.
TEMPORARILY HANG UNIT ON HANGER TABS.
UNIT MUST BE FASTENED PERMANENTLY BY BOLTS PROVIDED.

BEGINNING AT THE TOP FASTEN AIR CONDITIONER FROM INSIDE ENCLOSURE WITH 10 X 1/4-20 BOLTS (1/2" LONG SUPPLIED FOR UP TO 12 GA. ENCLOSURES)



NAME	DATE	
DRAWN	12/10/08	
CHECKED		
ENG APPR		
MGR APPR		
TITLE		INSTALLATION TEMPLATE
		HC155-486
UNLESS OTHERWISE SPECIFIED	DWG NO	HC155-486 CUTOUT
DIMENSIONS ARE IN INCHES	SCALE	WEIGHT
ANGLES 11° or 1 PL ±0.5°	FILE: hsc_nc_155-486_cutout.dwg	
2 PL ±0.02 3 PL ±0.010		SHEET 1 OF 1