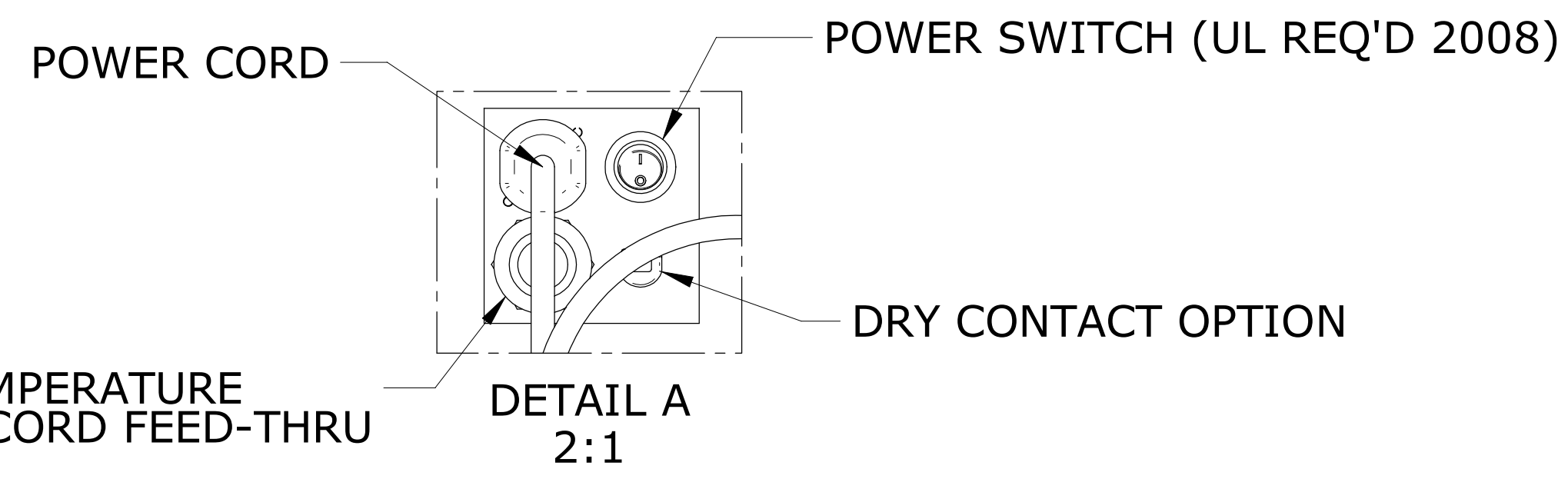
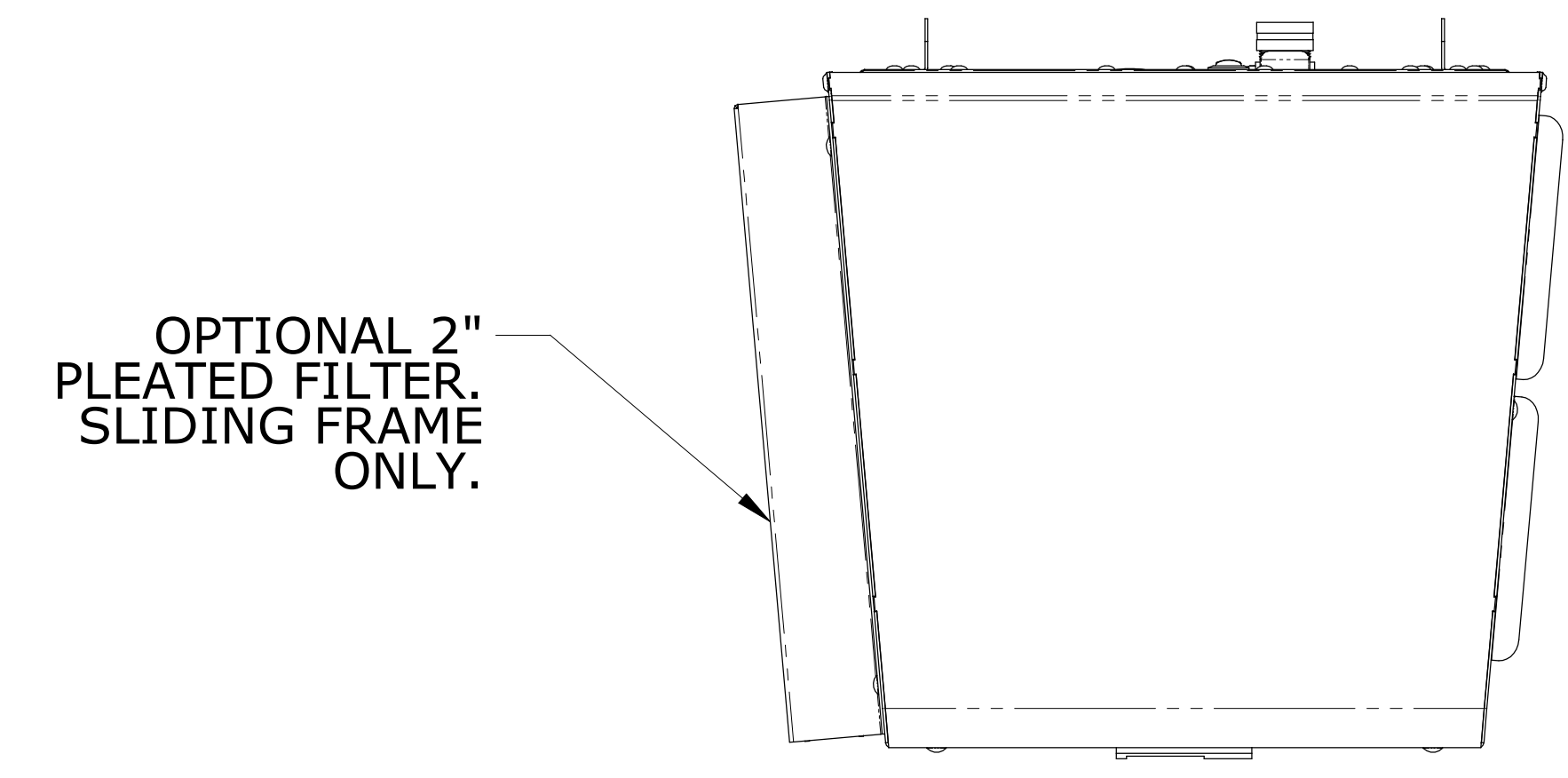
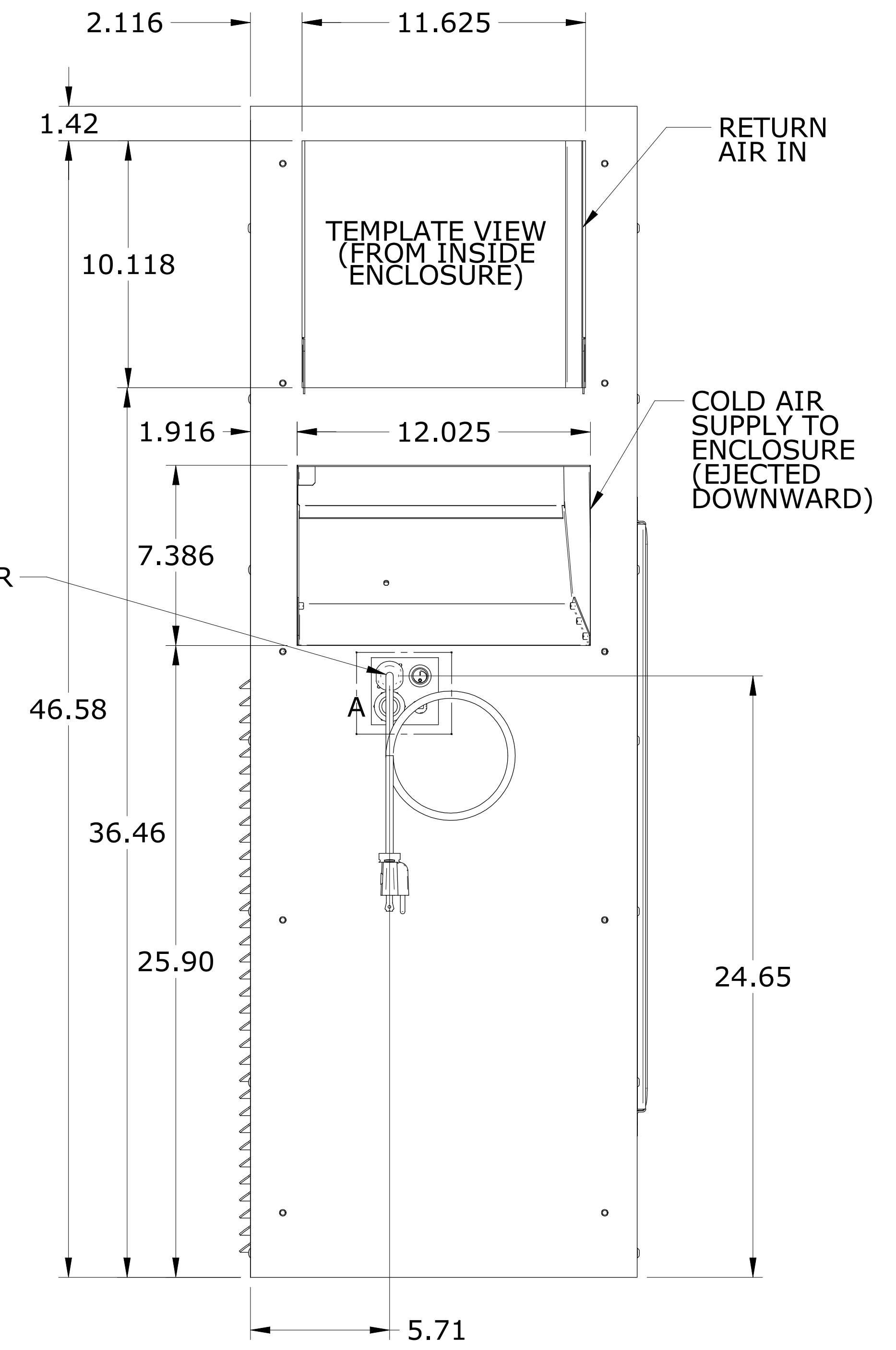
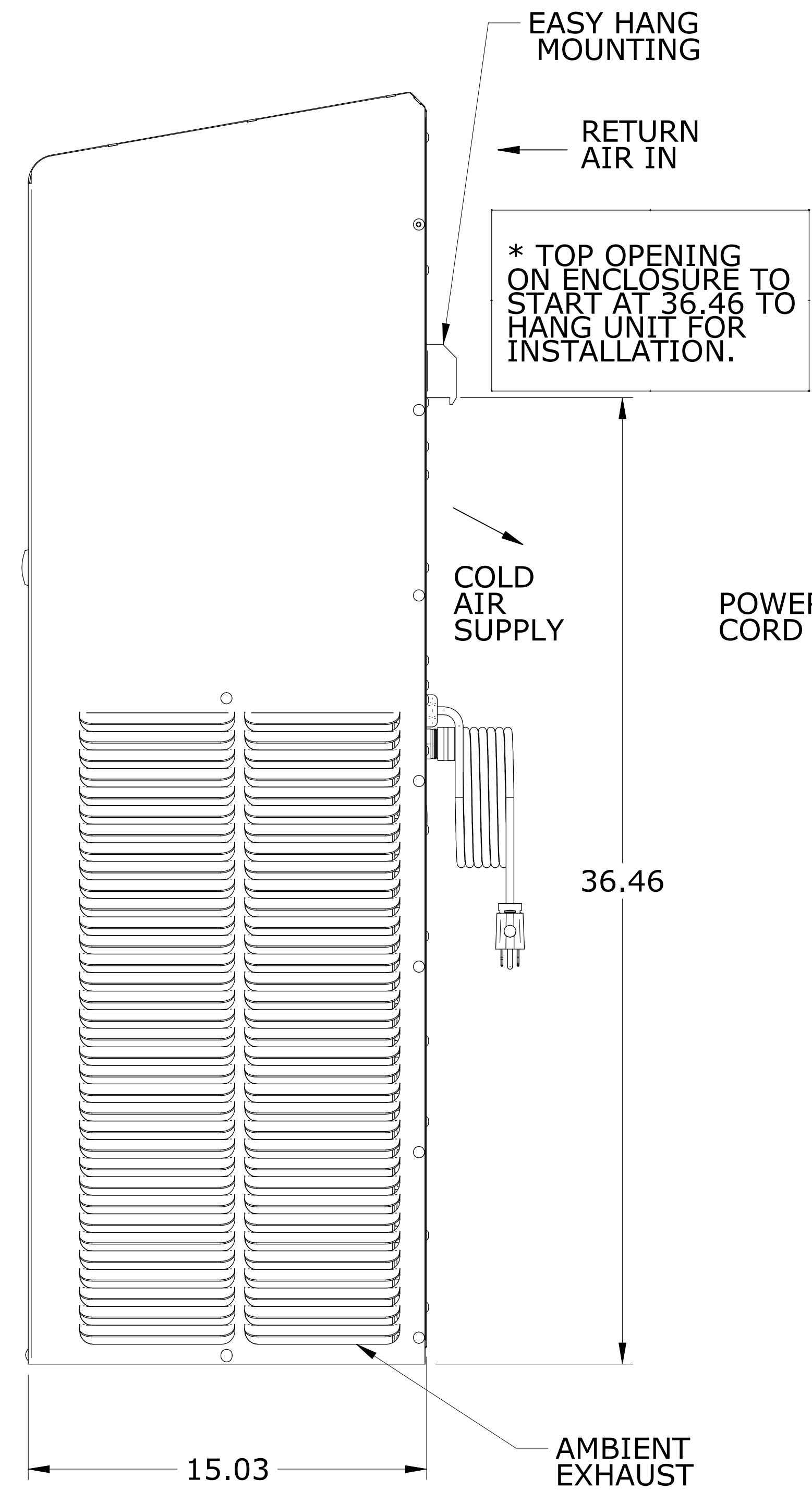
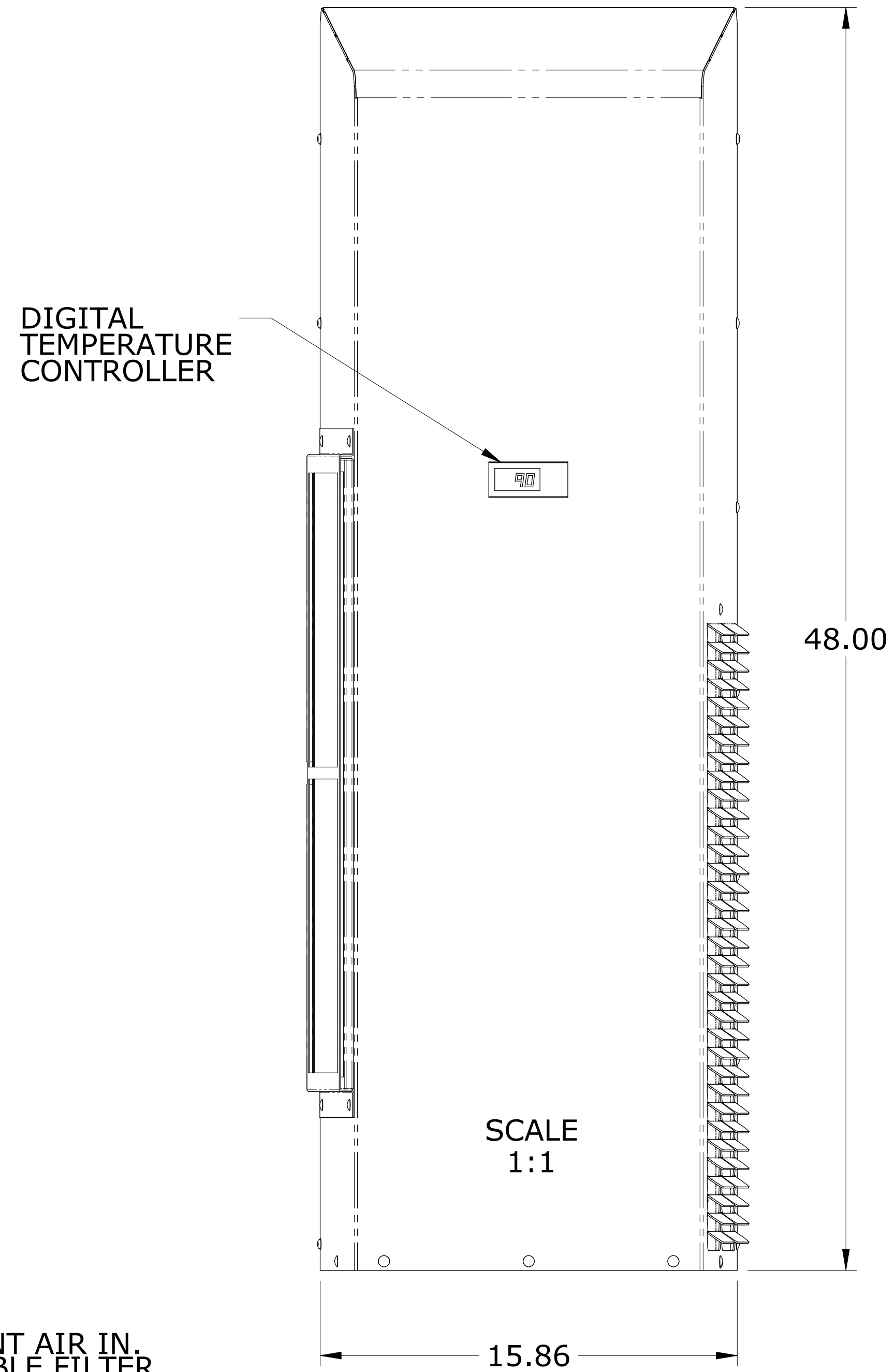
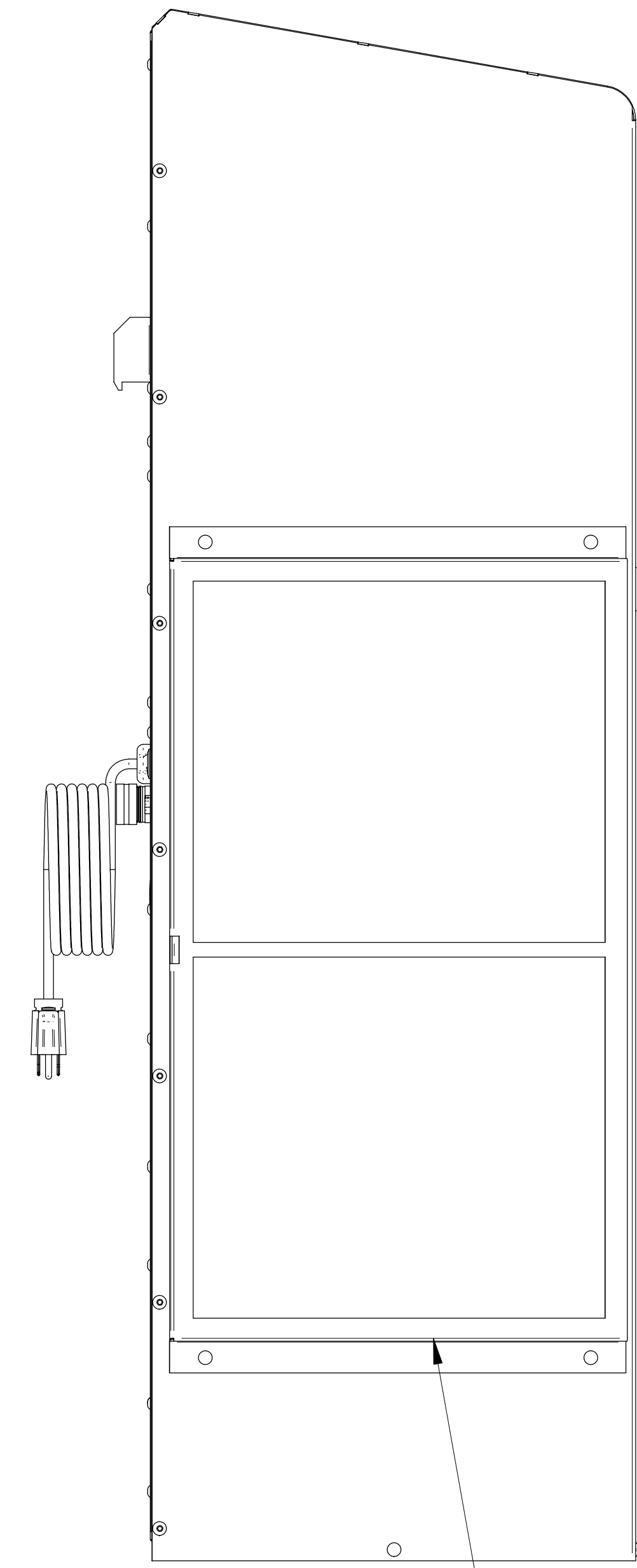


REVISION HISTORY			
REV	DESCRIPTION	DATE	APPROVED



OD MODEL TEMPERATURE CONTROLLER CORD FEED-THRU



AMBIENT AIR IN. REUSABLE FILTER. OPTIONAL FRAME:

- 1) SECURITY FRAME STANDARD ON STAINLESS STEEL
- 2) SLIDING FRAME STANDARD ON PAINTED
- 3) OPTIONAL 2" FILTER WITH SLIDING FRAME ONLY

	NAME	DATE		
DRAWN	atittle	04/22/09	TITLE	
CHECKED			HIGH CAPACITY HC155	
ENG APPR				
MGR APPR				
UNLESS OTHERWISE SPECIFIED DIMENSIONS ARE IN INCHES ANGLES ±1° or 1 PL ±0.5° 2 PL ±0.02 3 PL ±0.010			SIZE 12" x 8"	DWG NO HC155
			FILE NAME: isc_hc_155_dwg.dft	REV
			SCALE:	WEIGHT: SHEET 1 OF 1