



ENCLOSURE AIR CONDITIONERS
High Capacity Series
20,000 BTUH

**Celebrating
 20 Years of
 Excellence**

Engineered & manufactured to endure the most difficult of environments and applications. ISC air conditioners will exceed environmental requirements in applications like Steel, Food Processing, Petro-Chemical, Cement, Paper & Pulp and Plastics



**Indoor/Outdoor NEMA Type 12, 4 and 4X
 Closed Loop Systems**

Digital Temperature Controller

- ◆ Programmable set point and temperature operating controls
- ◆ Visible error and/or alarm messaging
- ◆ System status indication
- ◆ Password protection

Independent Active Condensate Management System

- ◆ Elimination of condensate
- ◆ Eradicates condensate without corrosive contact with coils

Unit Efficiency

- ◆ Pressure operated blower control reduces power inrush and saves energy
- ◆ Fully insulated & sealed cabinet
- ◆ Temperature Control Valve to provide a broad temperature range while maintaining cooling capacity
- ◆ Washable Filter Media

Industrial Construction

- ◆ Free standing rigid chassis eases maintenance
- ◆ Durable 16 gauge welded steel construction with a hard wearing powder coated finish for NEMA Type 12 and 4; 304 Stainless Steel for NEMA Type 4X
- ◆ Tamper Resistant Hardware

Compressor Protection System

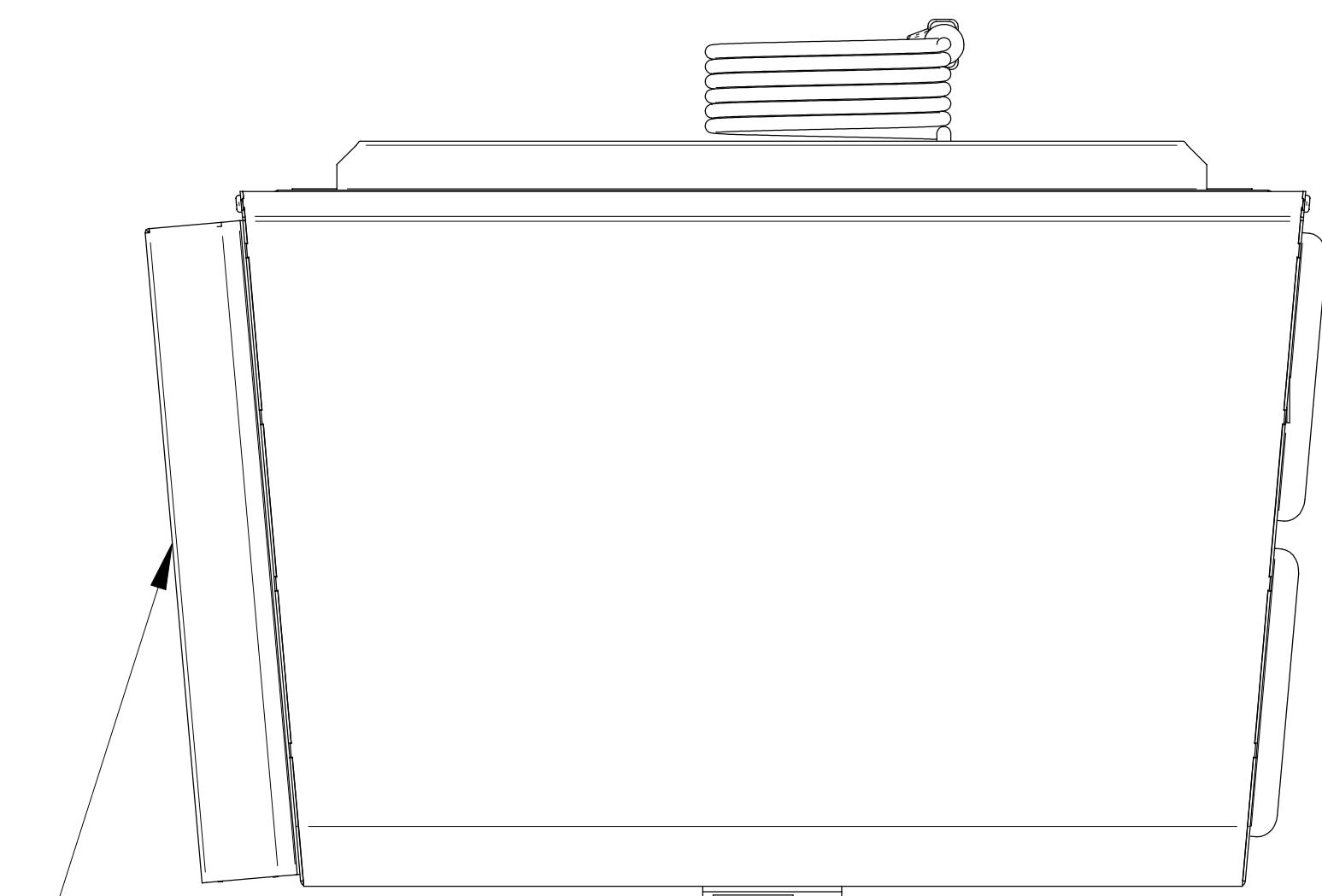
- ◆ High & Low refrigerant cutoffs with fault indication
- ◆ Compressor anti short cycle protection
- ◆ Compressor run capacitors reduce power inrush, save energy and increase compressor life

1 Year Warranty

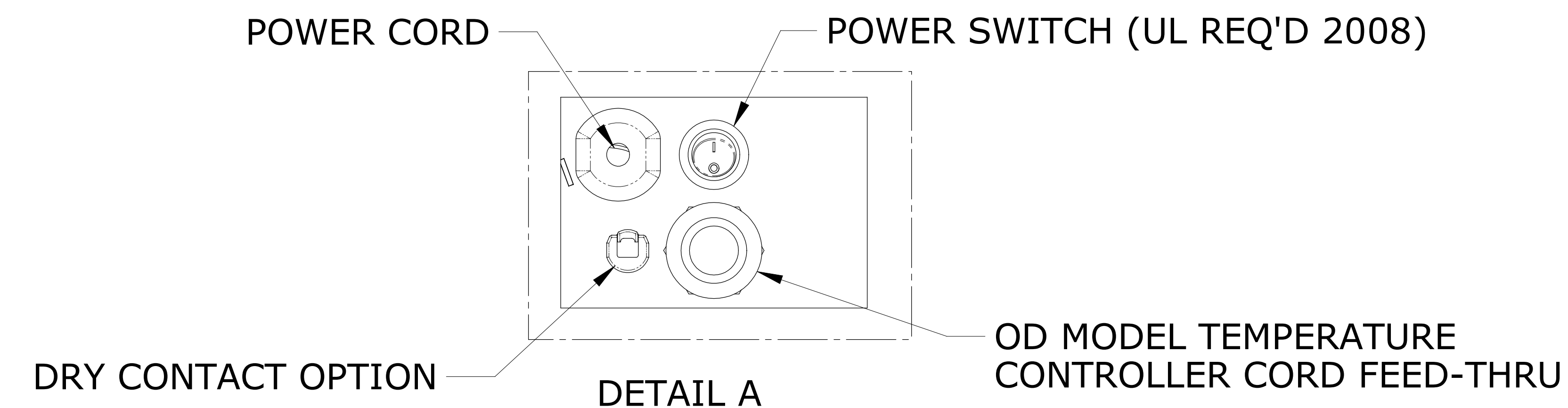
- Options:**
- ◆ High Ambient Package
 - ◆ Corrosive Environment Protection
 - ◆ External Alarm Capabilities
 - ◆ Dry Contact Remote Monitoring
 - ◆ Integrated Enclosure Heater System
 - ◆ Low Ambient Protection
 - ◆ NEMA Type 12, 4 and 4X
 - ◆ Hazardous Area Models
 - ◆ 316 Stainless Steel Construction
 - ◆ Remote Programmable Controller

Part Number	NEMA Type	BTUH	Watts	Volts/Hz.	Running Amps	Max Ambient Temperature	Dimensions H x W x D	Net Weight
ISC-HC-200-236-XX-XXX	12,04,4X	20,000	5860	230/60	11.27	125°F	56 x 23.3 x 15.17	186
ISC-HC-200-486-XX-XXX	12,04,4X	20,000	5860	480/60	5.64	125°F	65.6 x 23.3 x 15.17	225

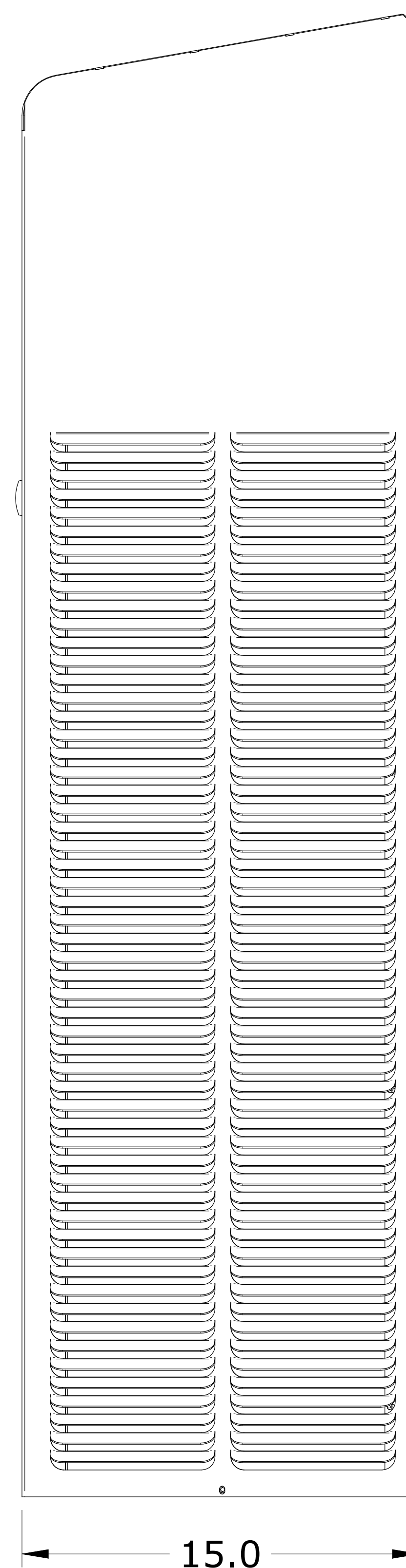
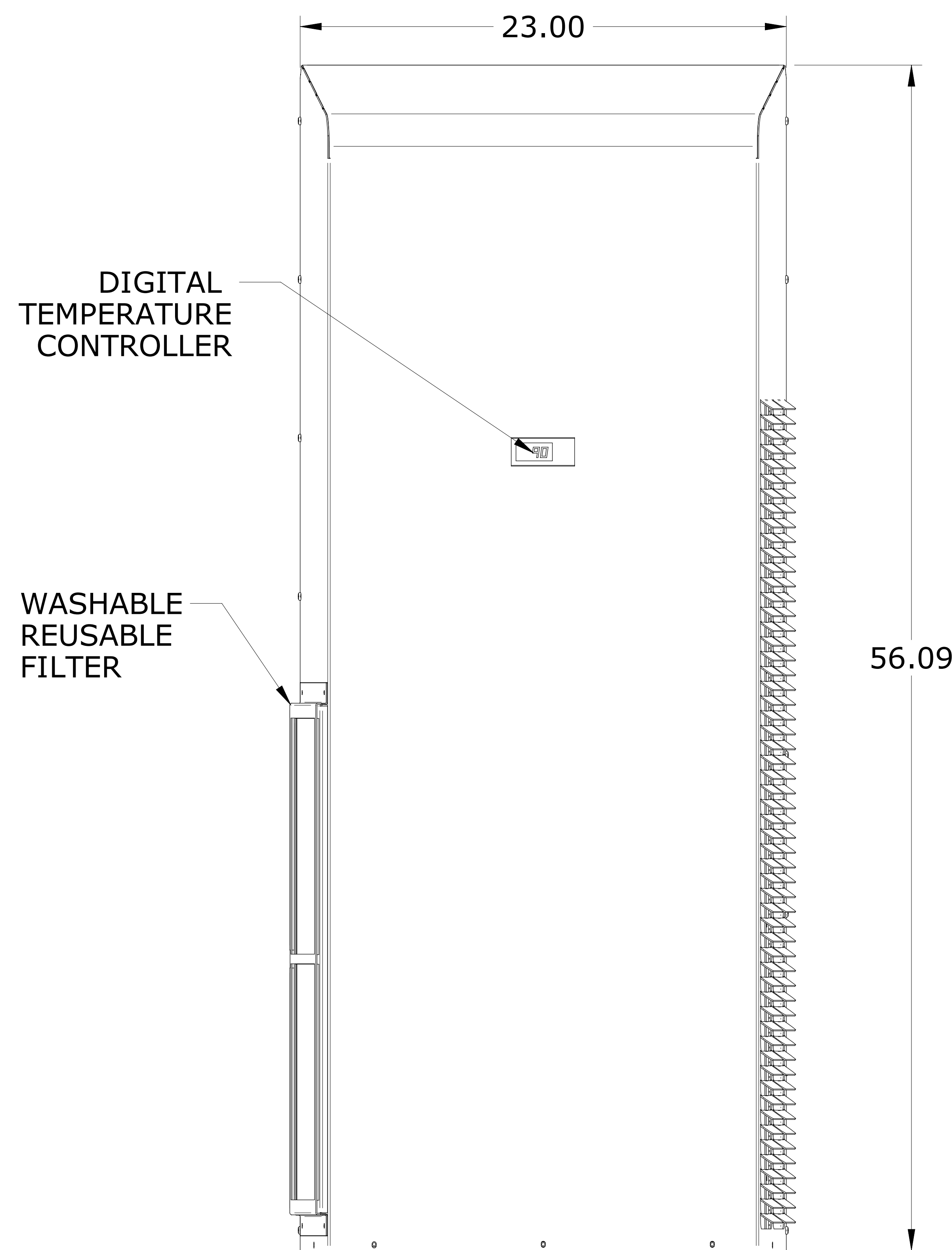
Information Subject to change without notice



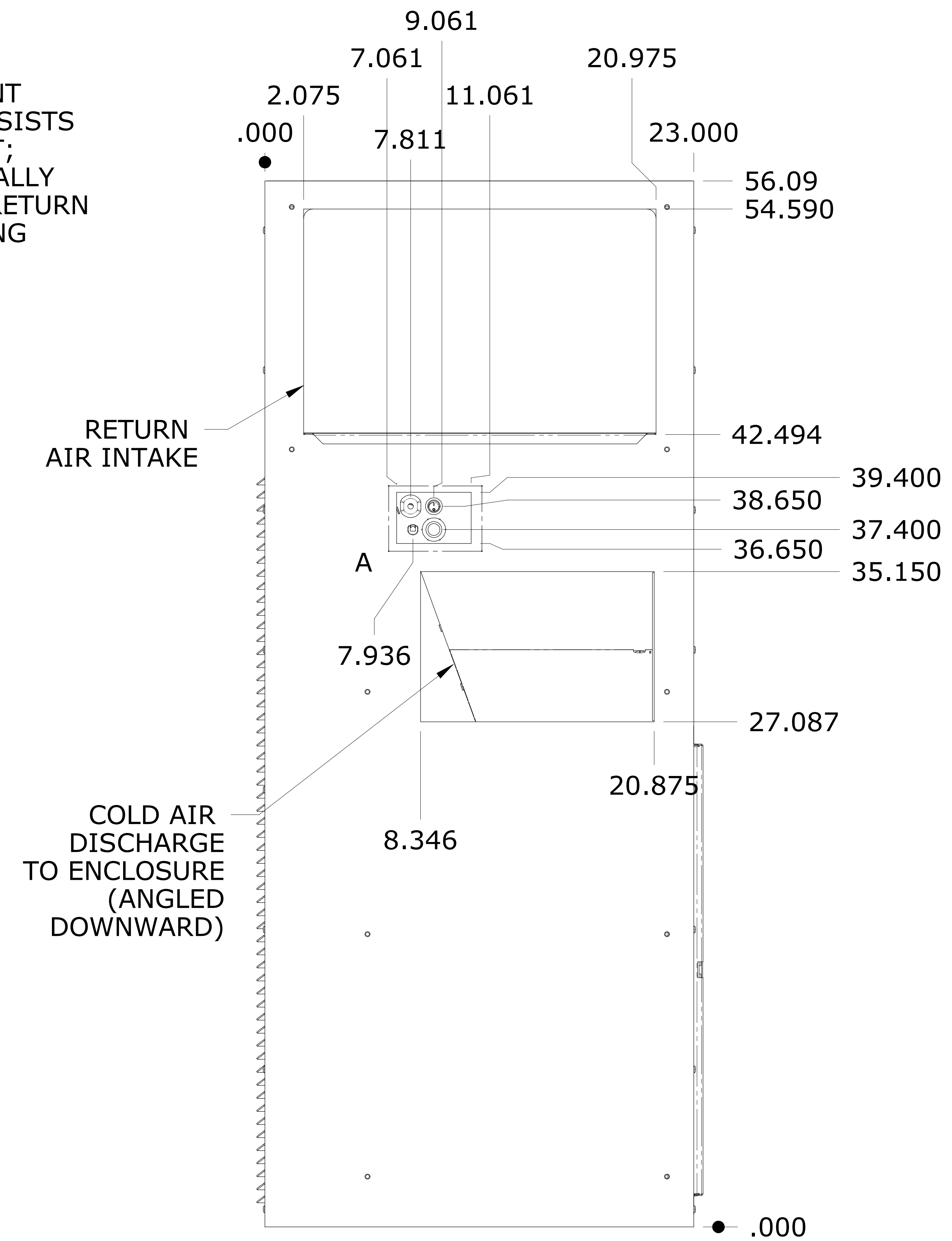
OPTIONAL 2" PLEATED FILTER



DETAIL A
ACTUAL FEATURE LOCATION MAY VARY WITHIN CUTOUT.



EASY MOUNT FLANGE ASSISTS PLACEMENT; UNIT INITIALLY HUNG ON RETURN AIR OPENING
RETURN AIR IN
COLD AIR SUPPLY



	NAME	DATE		
DRAWN	dakins	03/20/08		
CHECKED			TITLE	
ENG APPR			HIGH CAPACITY HC200	
MGR APPR			REV	
UNLESS OTHERWISE SPECIFIED DIMENSIONS ARE IN INCHES ANGLES ±1° or 1 PL ±0.5° 2 PL ±0.02 3 PL ±0.010			SIZE 170" x 110"	DWG NO HC200
			FILE NAME: isc_hc_200_drwg.dft	
			SCALE:	WEIGHT: SHEET 1 OF 1

