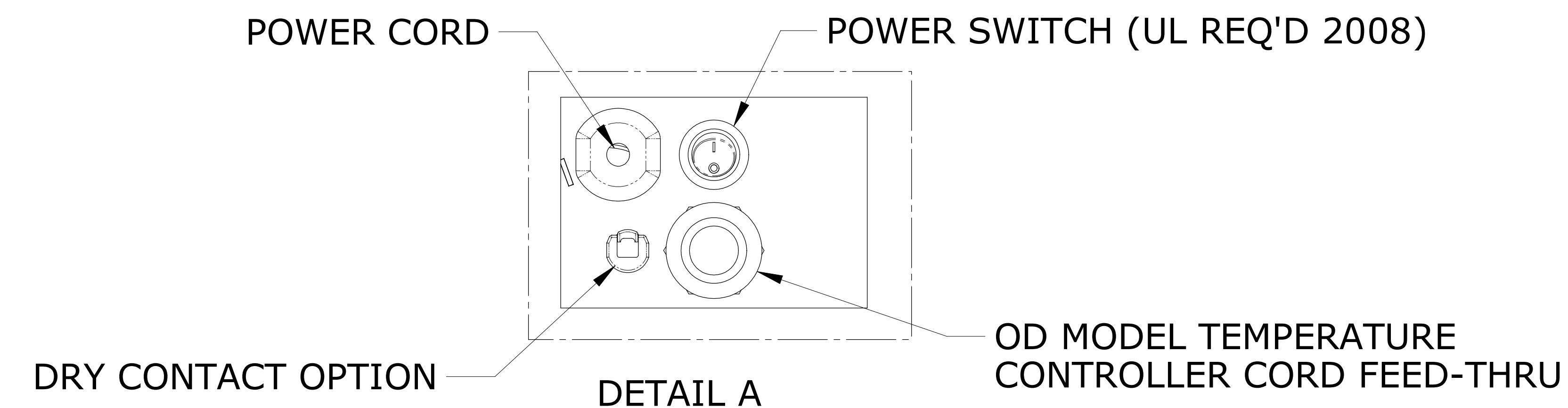
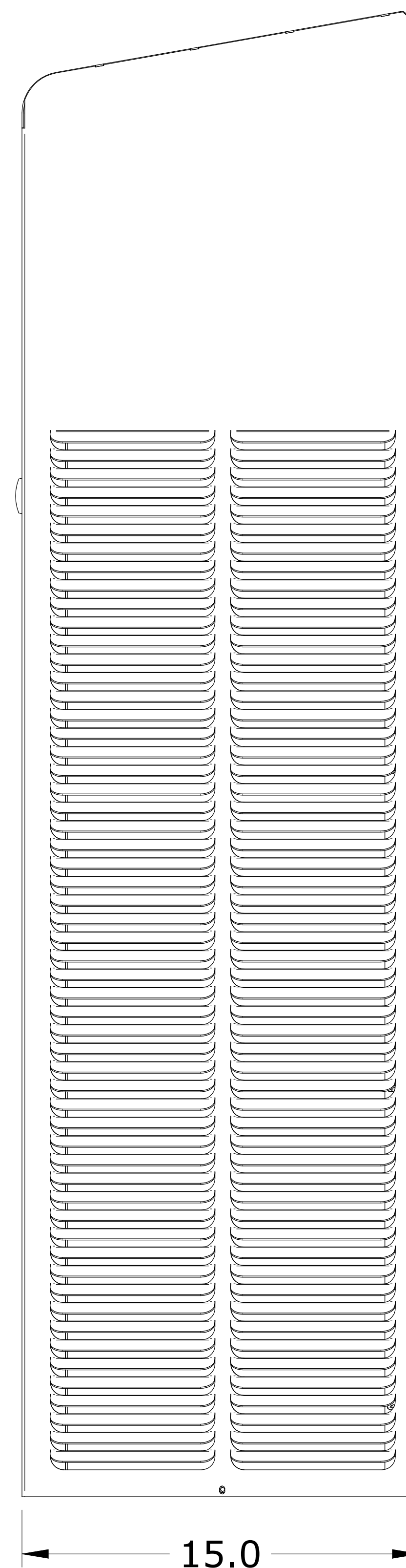


OPTIONAL 2" PLEATED FILTER



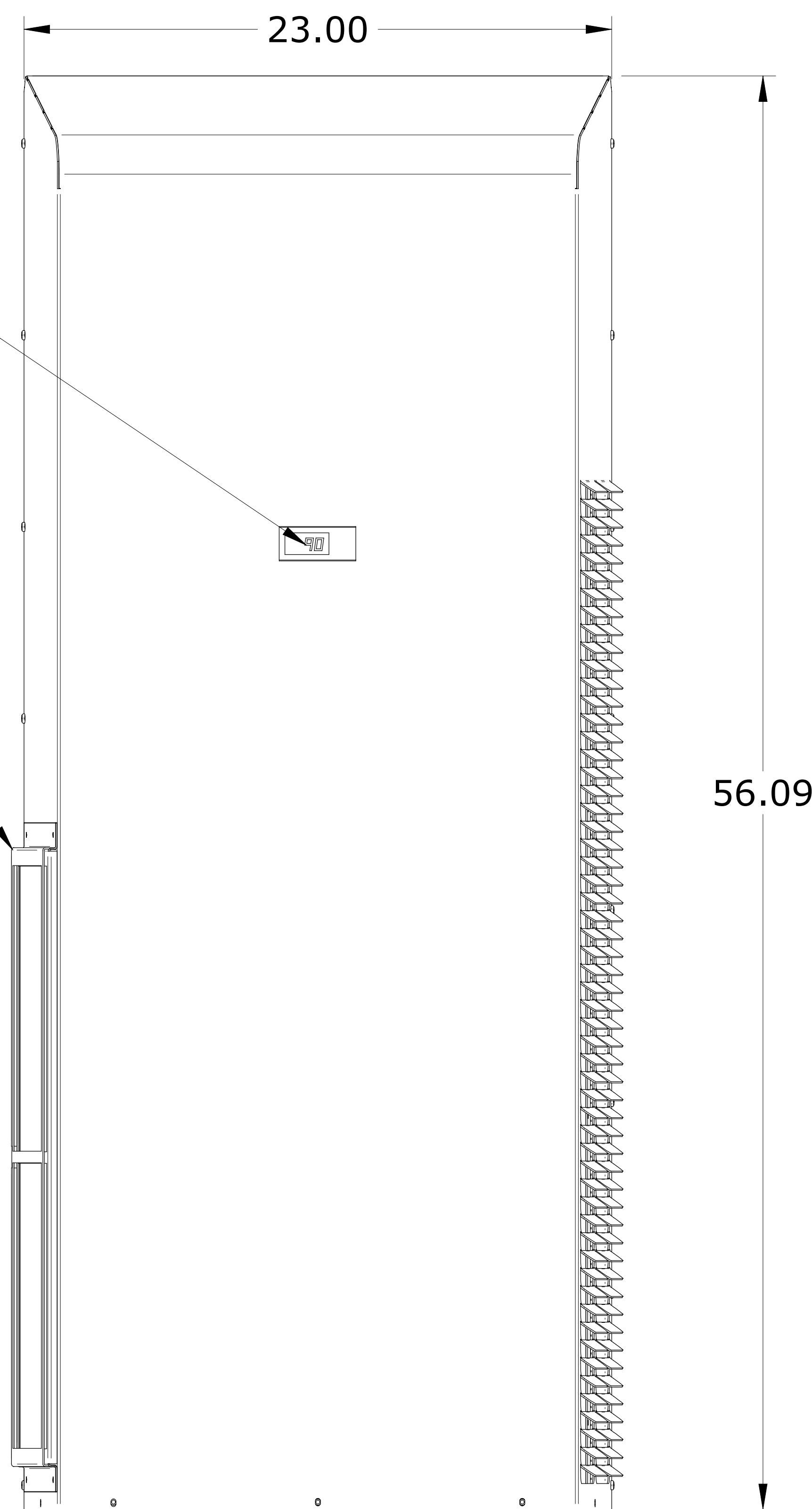
ACTUAL FEATURE LOCATION MAY VARY WITHIN CUTOUT.



15.0

DIGITAL TEMPERATURE CONTROLLER

WASHABLE REUSABLE FILTER



23.00

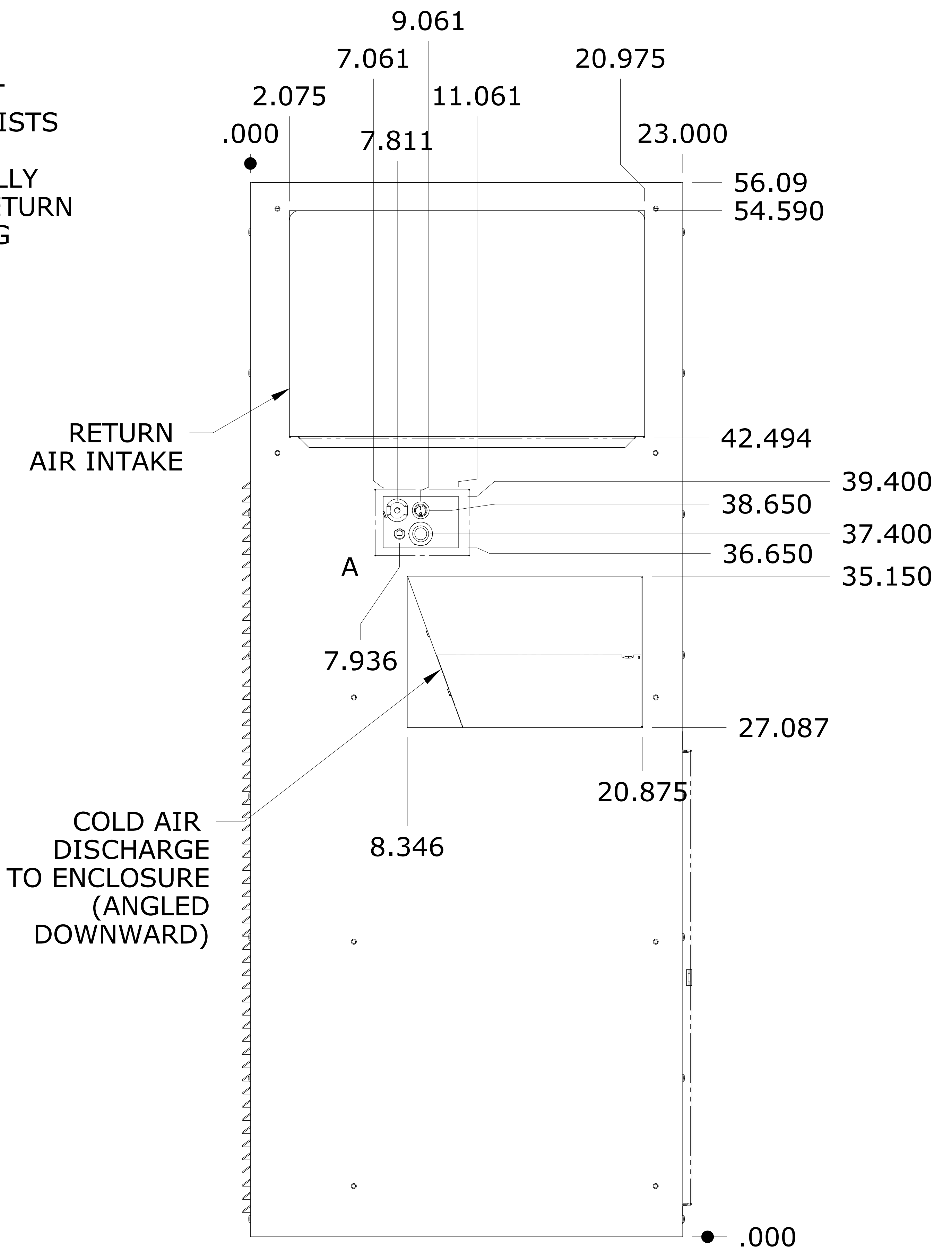
56.09

EASY MOUNT FLANGE ASSISTS PLACEMENT; UNIT INITIALLY HUNG ON RETURN AIR OPENING

RETURN AIR IN

COLD AIR SUPPLY

COLD AIR DISCHARGE TO ENCLOSURE (ANGLED DOWNWARD)



9.061

7.061

20.975

2.075

7.811

11.061

23.000

56.09

54.590

RETURN AIR INTAKE

42.494

39.400

38.650

37.400

36.650

35.150

7.936

27.087

20.875

8.346

.000

NAME	DATE	TITLE	SIZE	DWG NO	REV
DRAWN	dakins	03/20/08	170" x 110"		
CHECKED					
ENG APPR					
MGR APPR					
UNLESS OTHERWISE SPECIFIED DIMENSIONS ARE IN INCHES ANGLES ±1° or 1 PL ±0.5° 2 PL ±0.02 3 PL ±0.010			FILE NAME: isc_hc_200_drwg.dft		
SCALE:	WEIGHT:	SHEET 1 OF 1			

HIGH CAPACITY HC200

HC200