



**ENCLOSURE AIR CONDITIONERS**  
**High Capacity Series**  
**20,000 BTUH**

**Celebrating  
 20 Years of  
 Excellence**

Engineered & manufactured to endure the most difficult of environments and applications. ISC air conditioners will exceed environmental requirements in applications like Steel, Food Processing, Petro-Chemical, Cement, Paper & Pulp and Plastics



**Indoor/Outdoor NEMA Type 12, 4 and 4X  
 Closed Loop Systems**

**Digital Temperature Controller**

- ◆ Programmable set point and temperature operating controls
- ◆ Visible error and/or alarm messaging
- ◆ System status indication
- ◆ Password protection

**Independent Active Condensate Management System**

- ◆ Elimination of condensate
- ◆ Eradicates condensate without corrosive contact with coils

**Unit Efficiency**

- ◆ Pressure operated blower control reduces power inrush and saves energy
- ◆ Fully insulated & sealed cabinet
- ◆ Temperature Control Valve to provide a broad temperature range while maintaining cooling capacity
- ◆ Washable Filter Media

**Industrial Construction**

- ◆ Free standing rigid chassis eases maintenance
- ◆ Durable 16 gauge welded steel construction with a hard wearing powder coated finish for NEMA Type 12 and 4; 304 Stainless Steel for NEMA Type 4X
- ◆ Tamper Resistant Hardware

**Compressor Protection System**

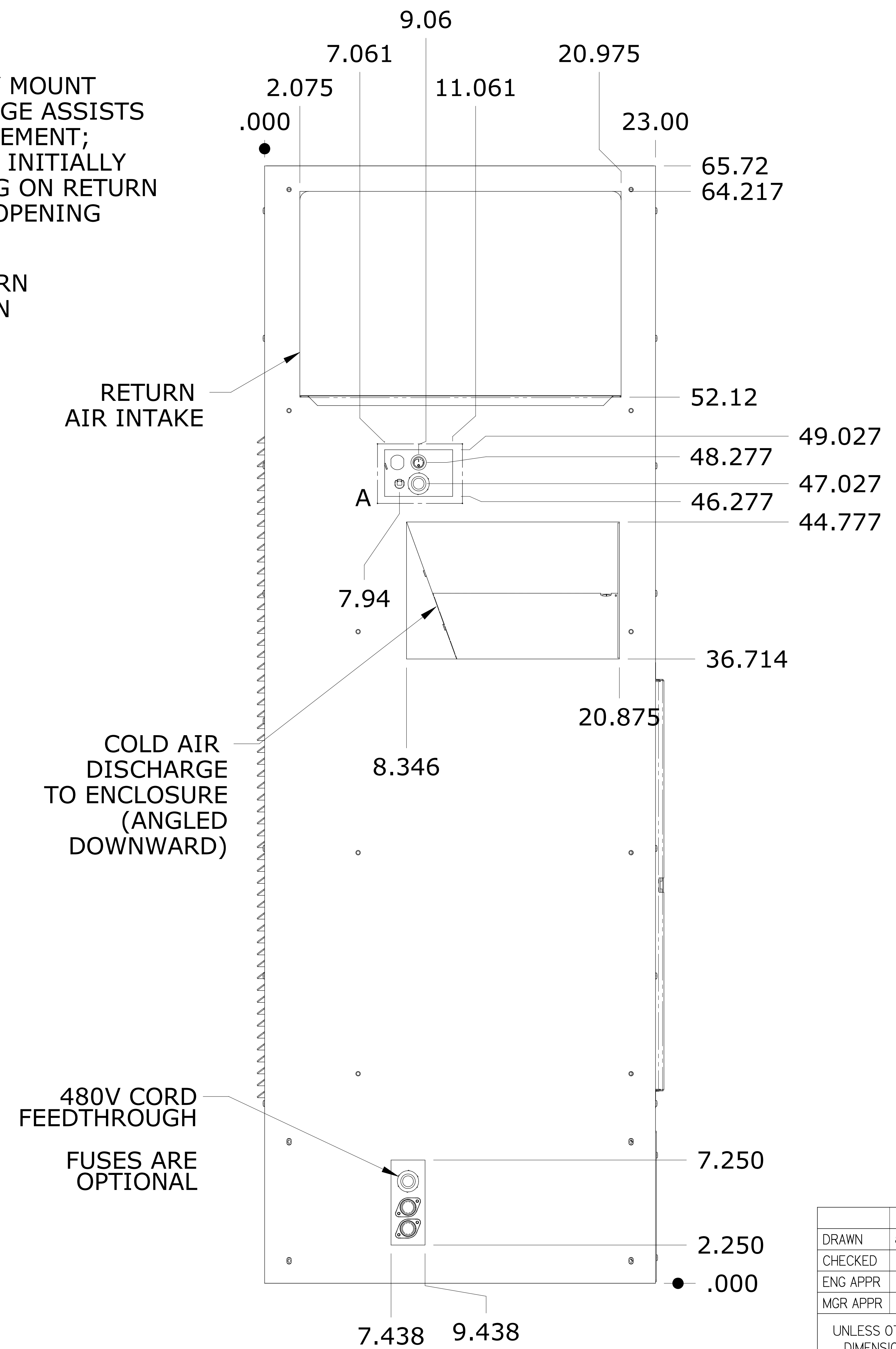
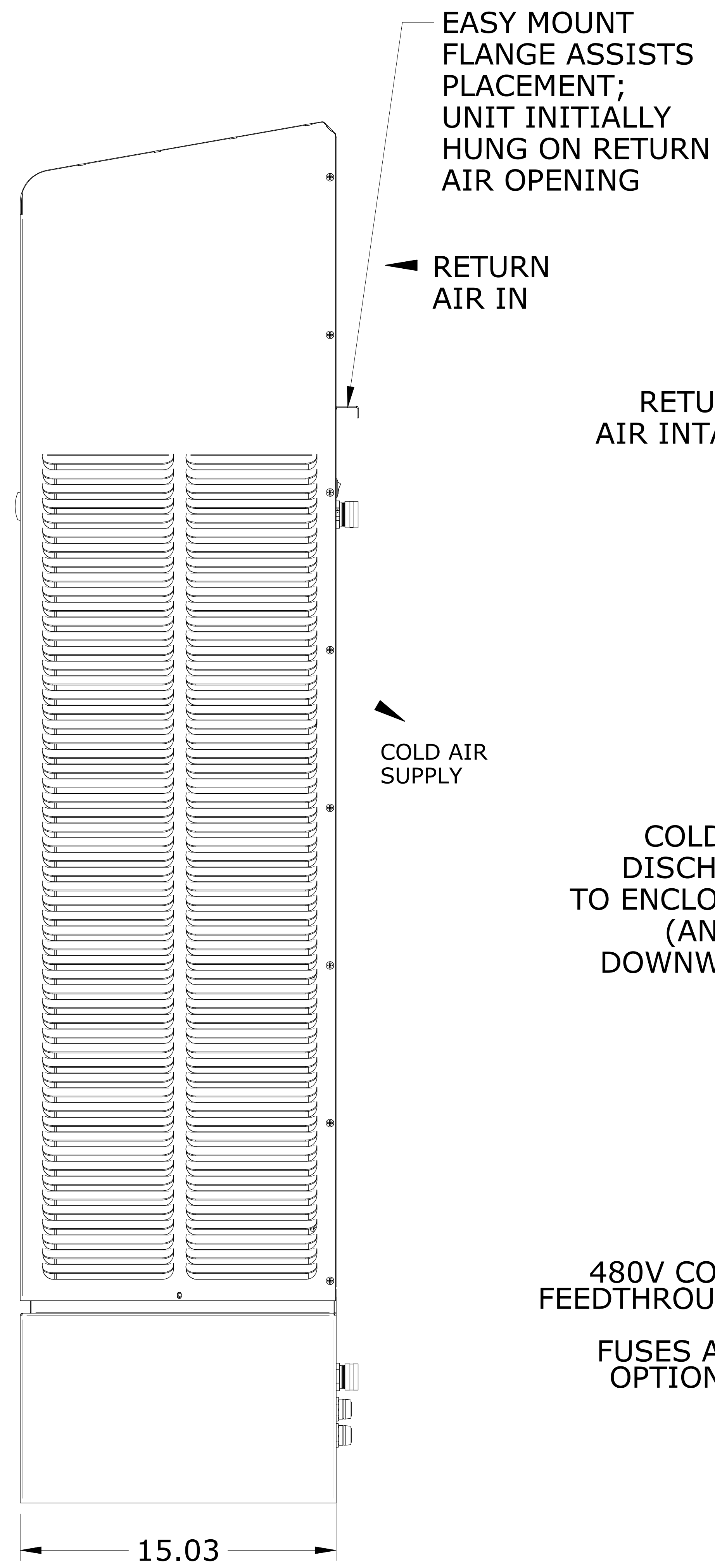
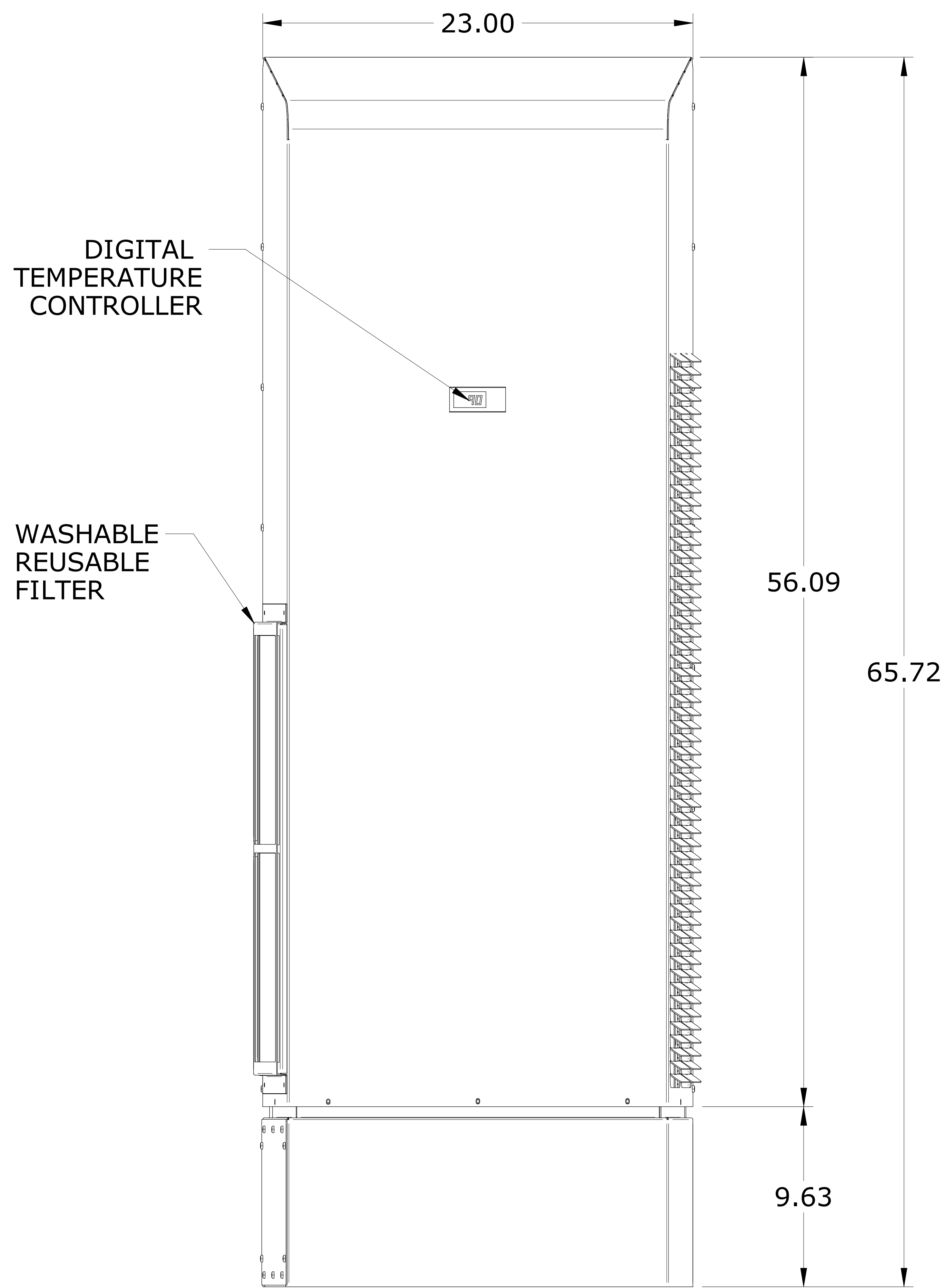
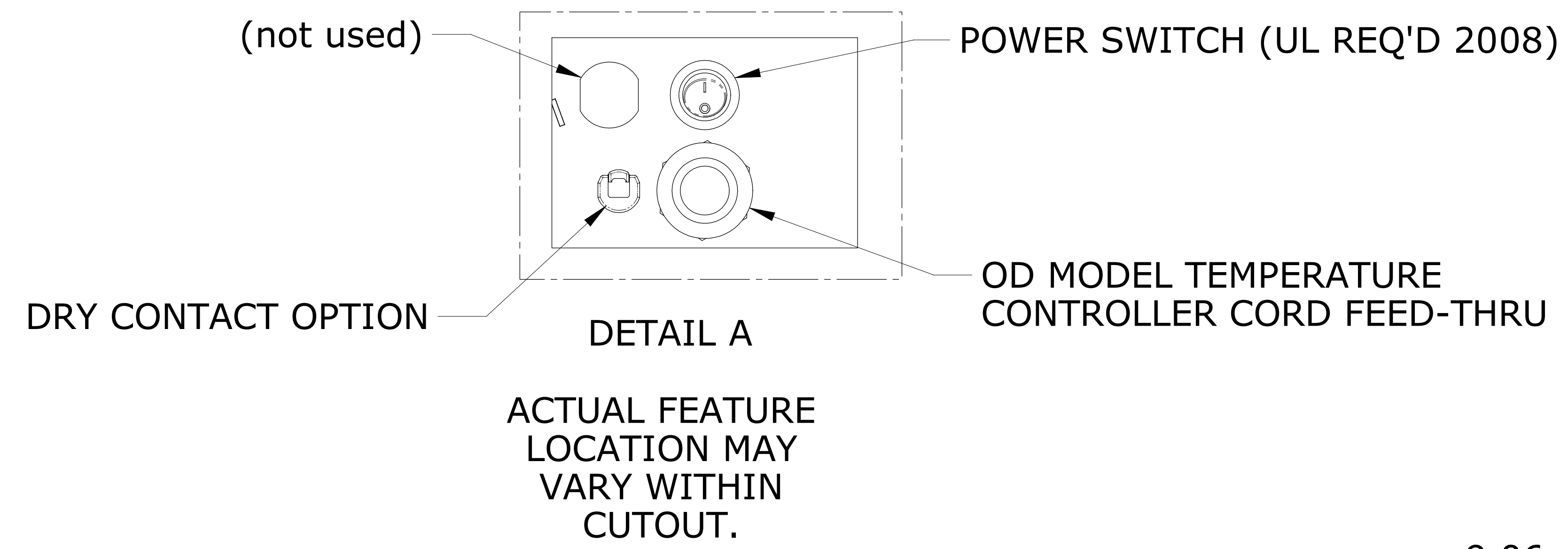
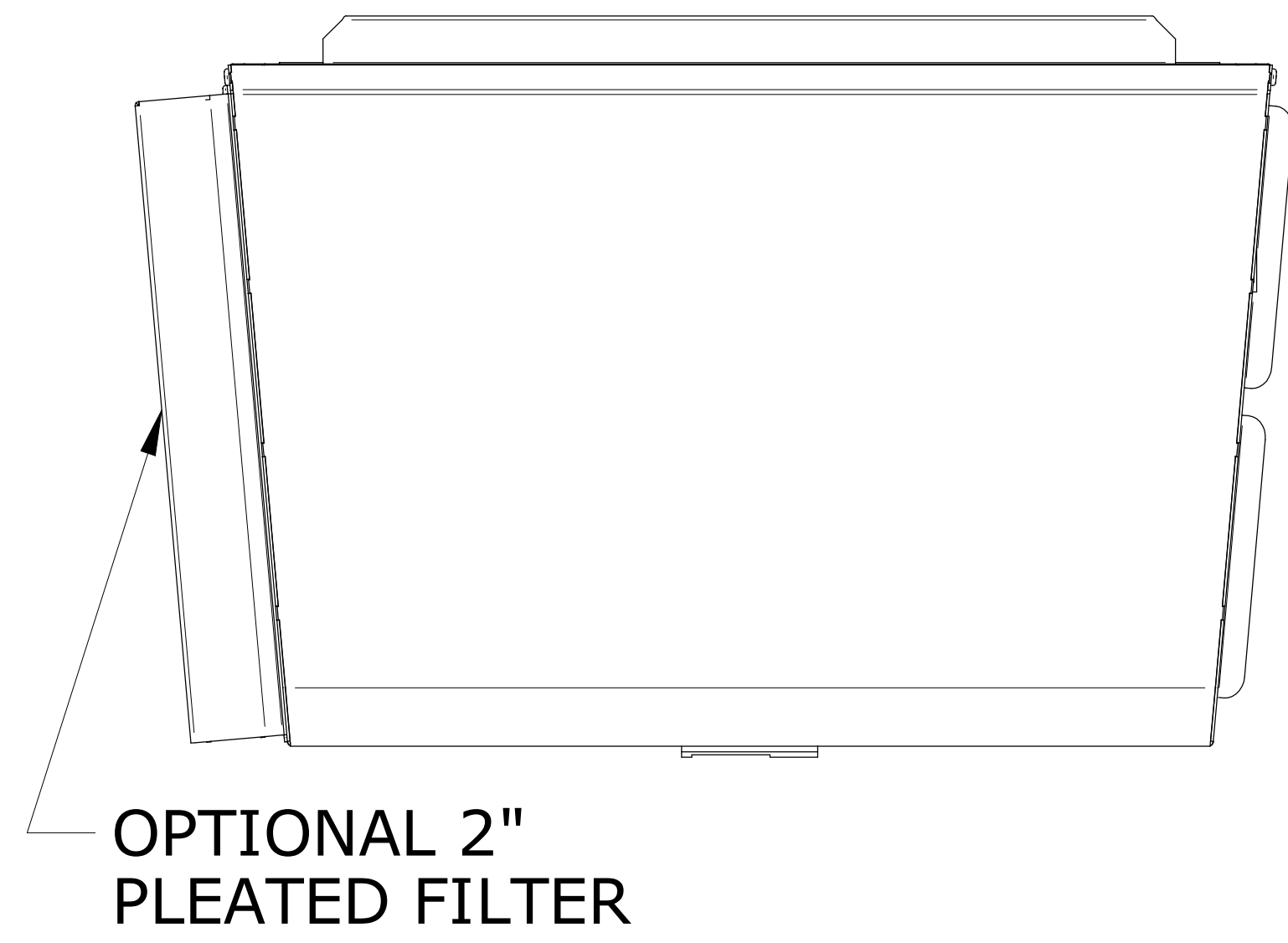
- ◆ High & Low refrigerant cutoffs with fault indication
- ◆ Compressor anti short cycle protection
- ◆ Compressor run capacitors reduce power inrush, save energy and increase compressor life

**1 Year Warranty**

- Options:**
- ◆ High Ambient Package
  - ◆ Corrosive Environment Protection
  - ◆ External Alarm Capabilities
  - ◆ Dry Contact Remote Monitoring
  - ◆ Integrated Enclosure Heater System
  - ◆ Low Ambient Protection
  - ◆ NEMA Type 12, 4 and 4X
  - ◆ Hazardous Area Models
  - ◆ 316 Stainless Steel Construction
  - ◆ Remote Programmable Controller

Part Number	NEMA Type	BTUH	Watts	Volts/Hz.	Running Amps	Max Ambient Temperature	Dimensions H x W x D	Net Weight
ISC-HC-200-236-XX-XXX	12,04,4X	20,000	5860	230/60	11.27	125°F	56 x 23.3 x 15.17	186
ISC-HC-200-486-XX-XXX	12,04,4X	20,000	5860	480/60	5.64	125°F	65.6 x 23.3 x 15.17	225

**Information Subject to change without notice**



	NAME	DATE	
DRAWN	atittle	09/17/08	
CHECKED			TITLE
ENG APPR			<b>HIGH CAPACITY</b>
MGR APPR			<b>HC200-486</b>
UNLESS OTHERWISE SPECIFIED DIMENSIONS ARE IN INCHES			SIZE DWG NO
ANGLES ±1° or 1 PL ±0.5°			170° x 110° <b>HC200-486</b>
2 PL ±0.06 3 PL ±0.030			FILE: isc_hc_200-486_drwg.dft
SCALE:	WEIGHT:		SHEET 1 OF 1

