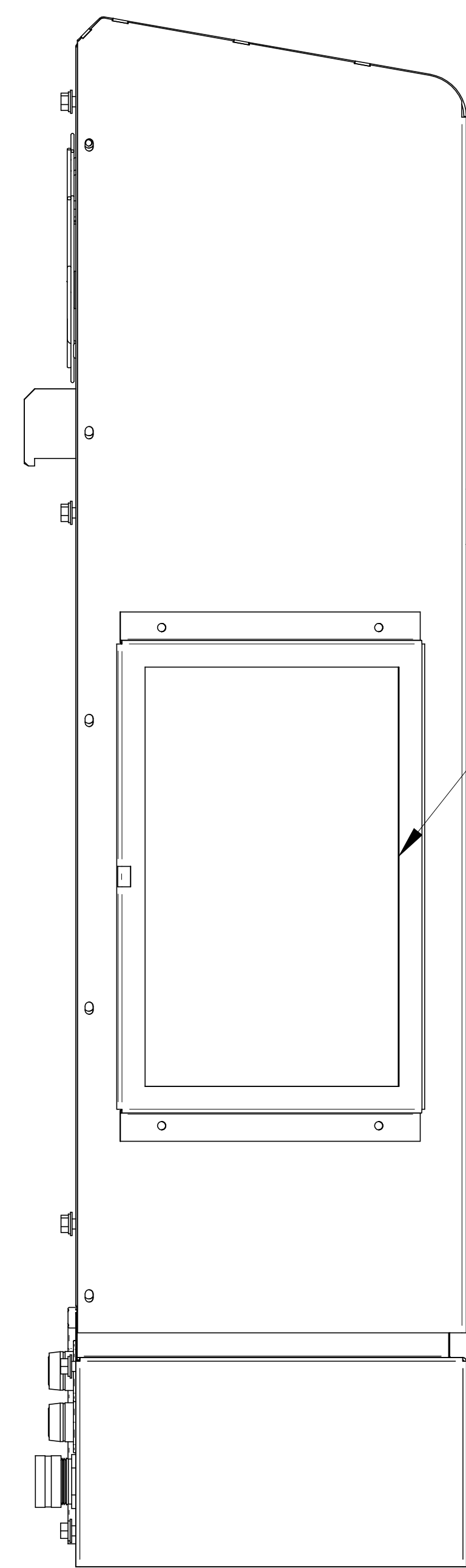
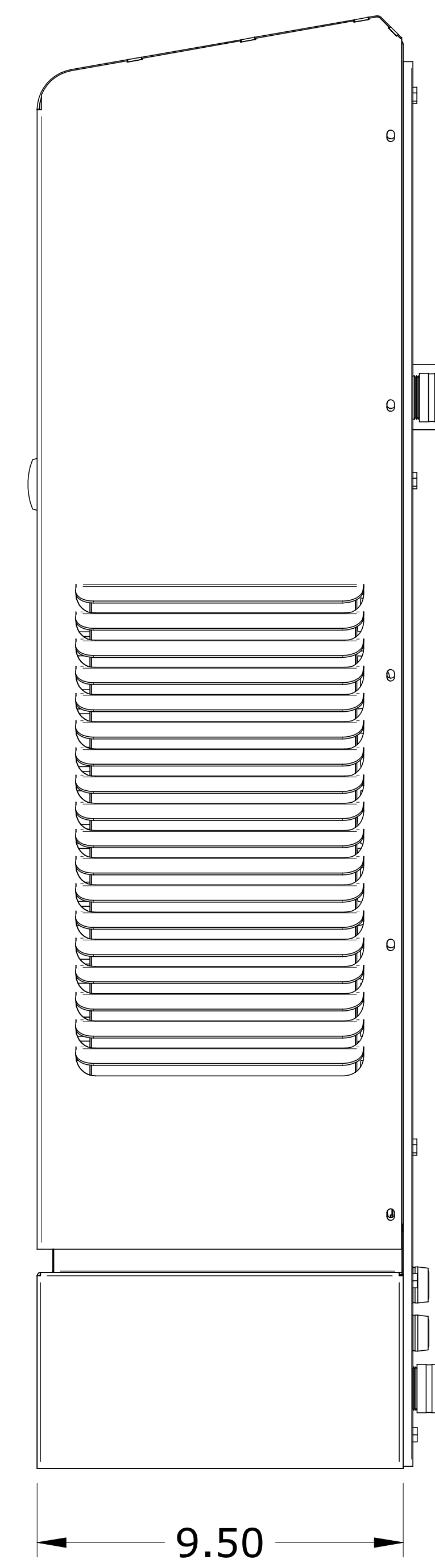
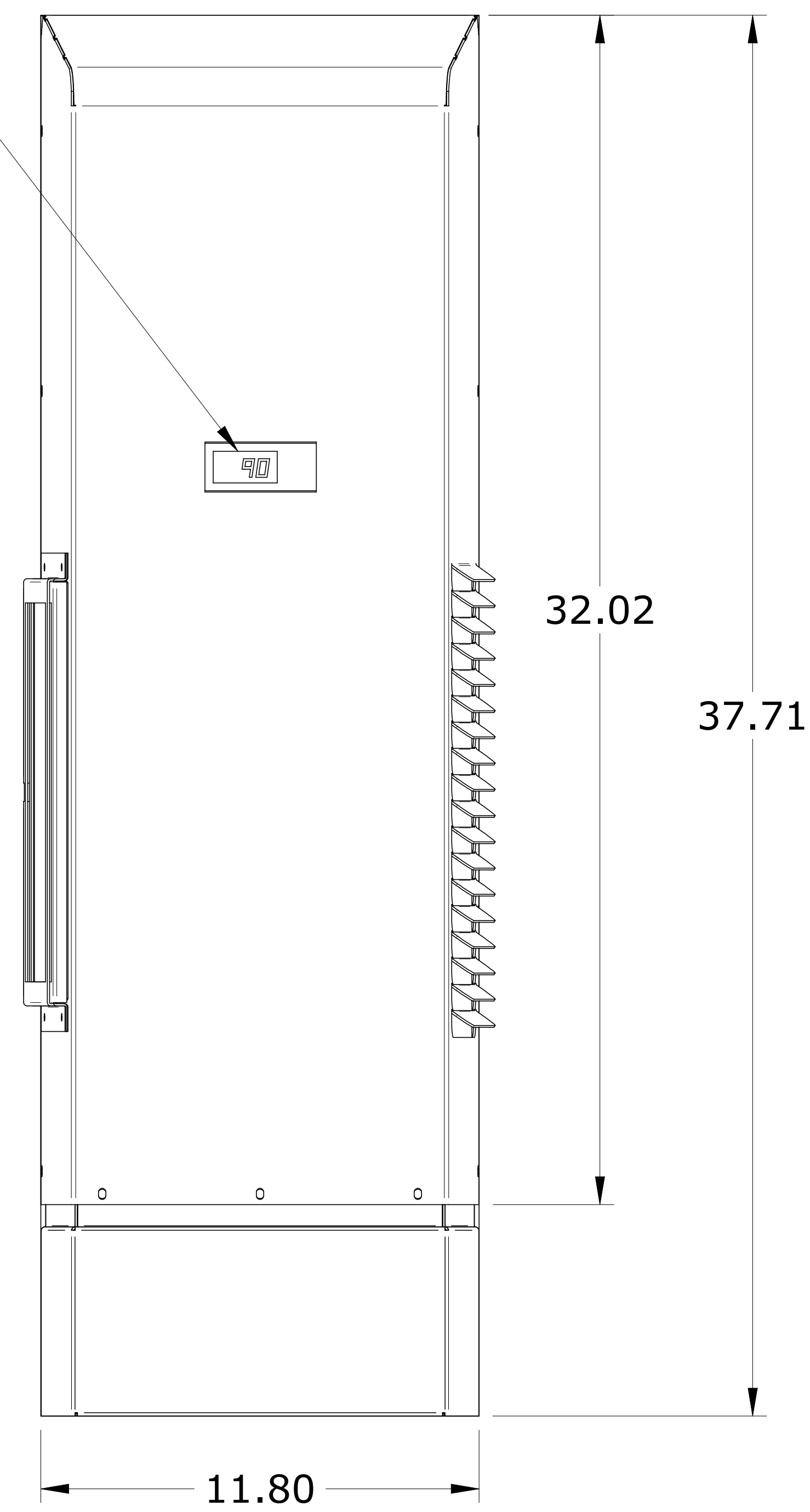


DETAIL A



DIGITAL TEMPERATURE CONTROLLER

AMBIENT AIR IN REUSABLE FILTER



EASY HANG TABS

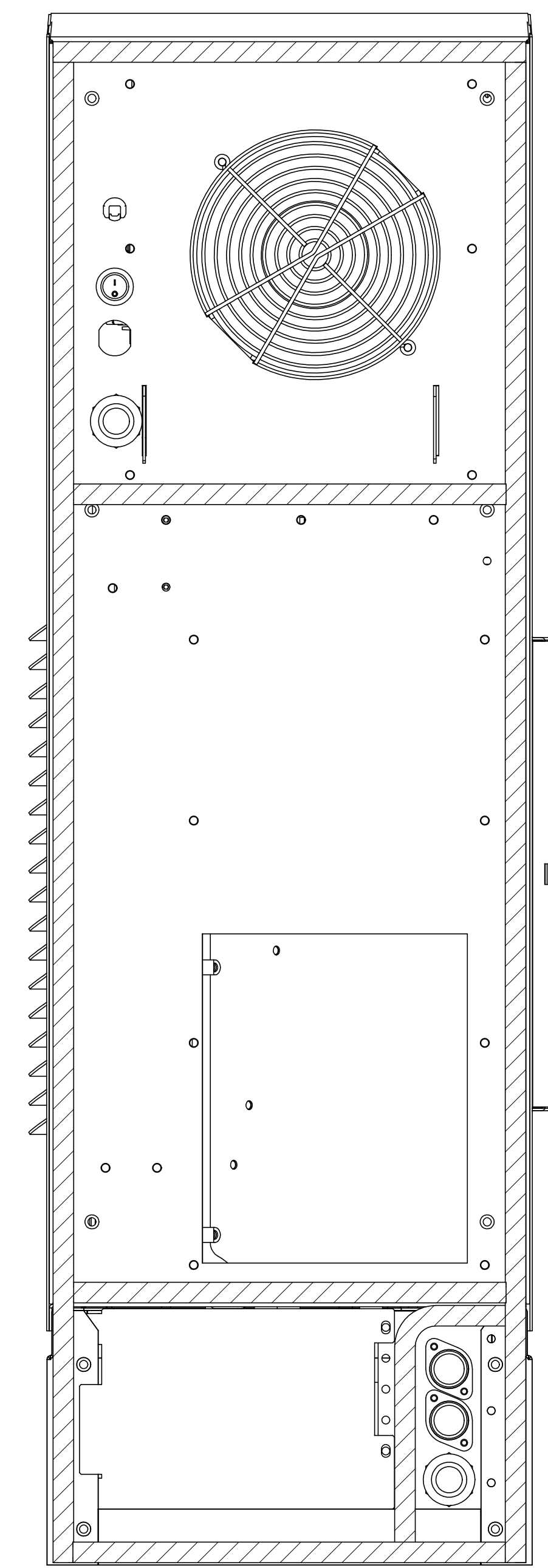
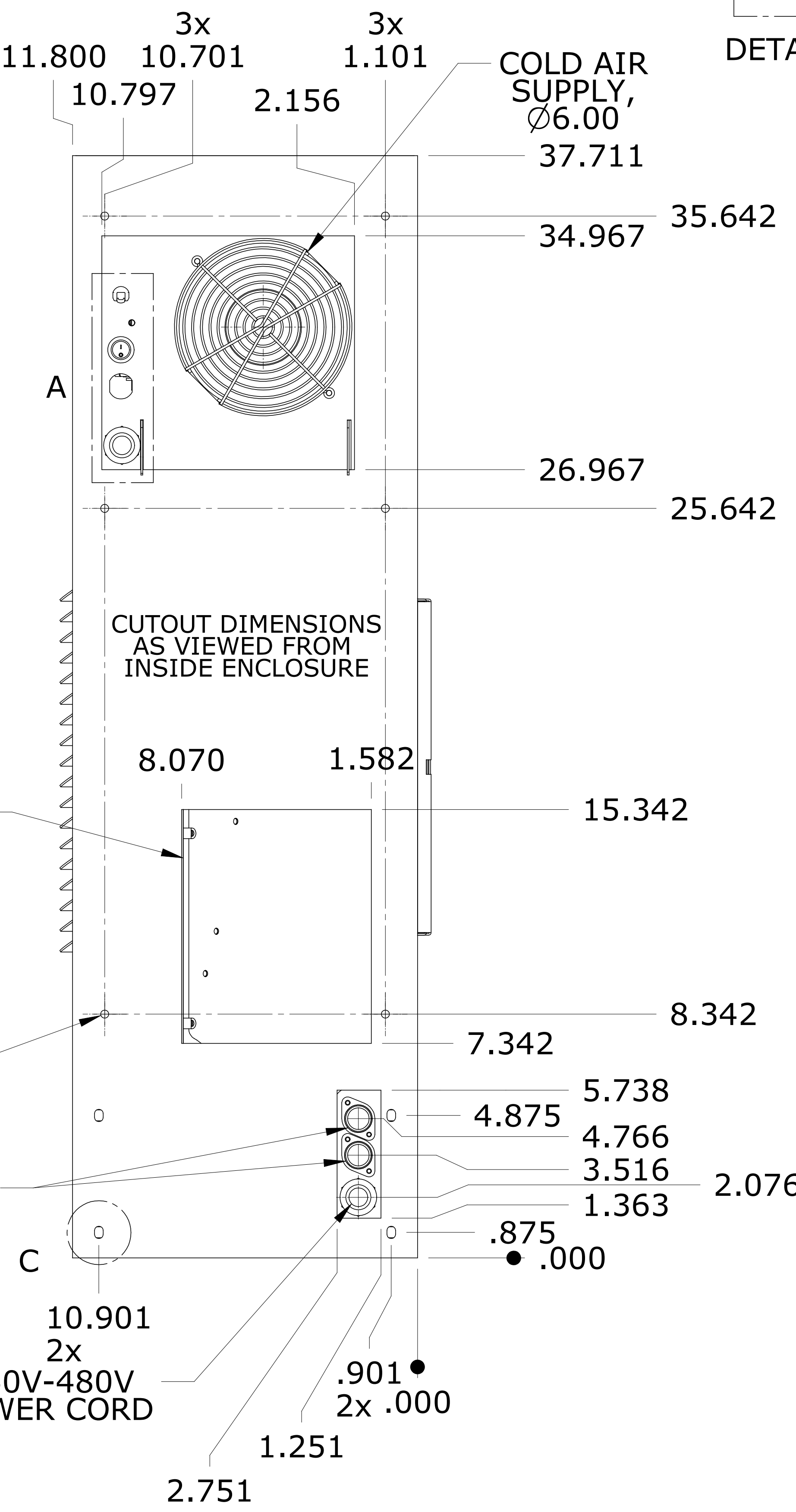
COLD AIR SUPPLY

COLD AIR RETURN

6X Ø .277

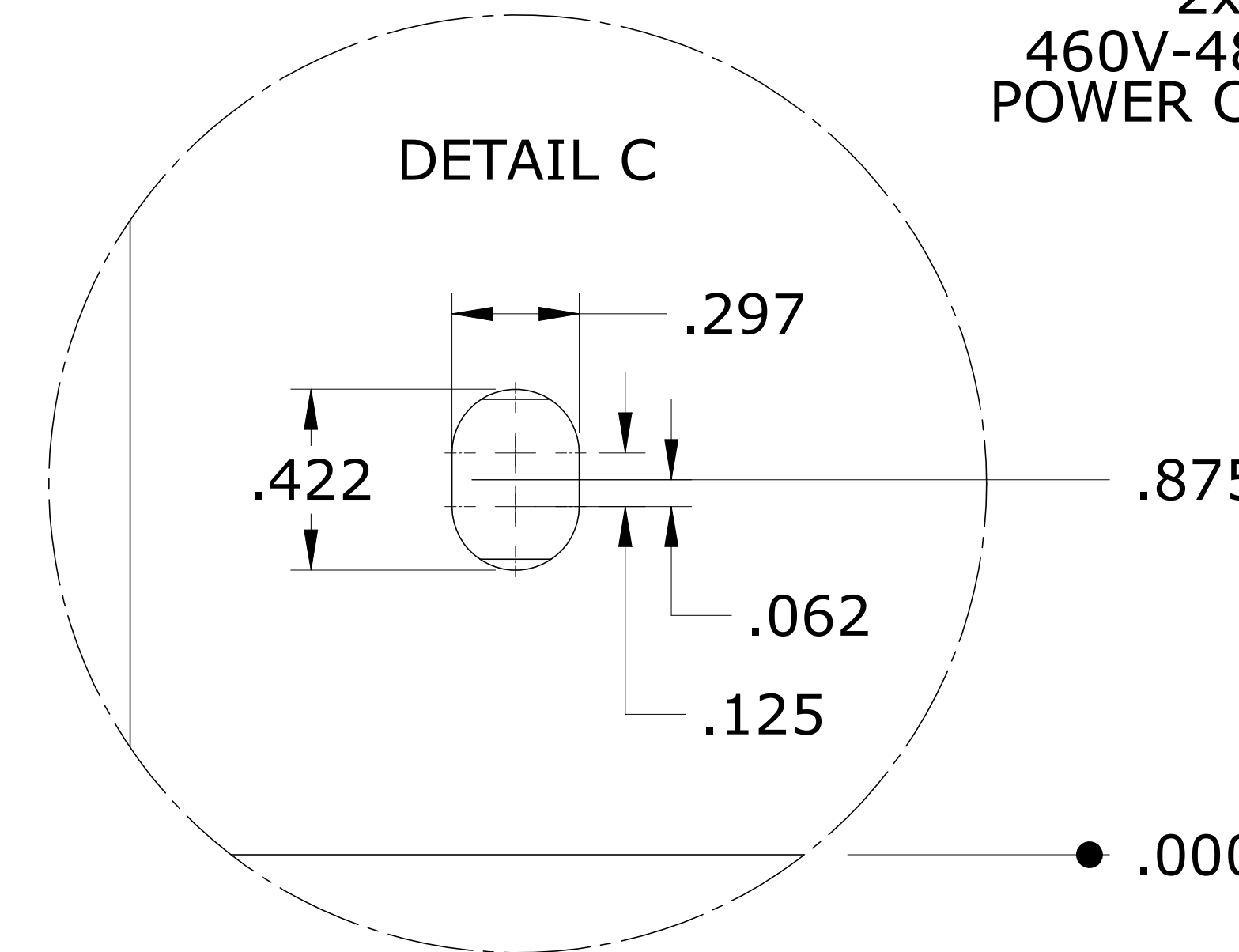
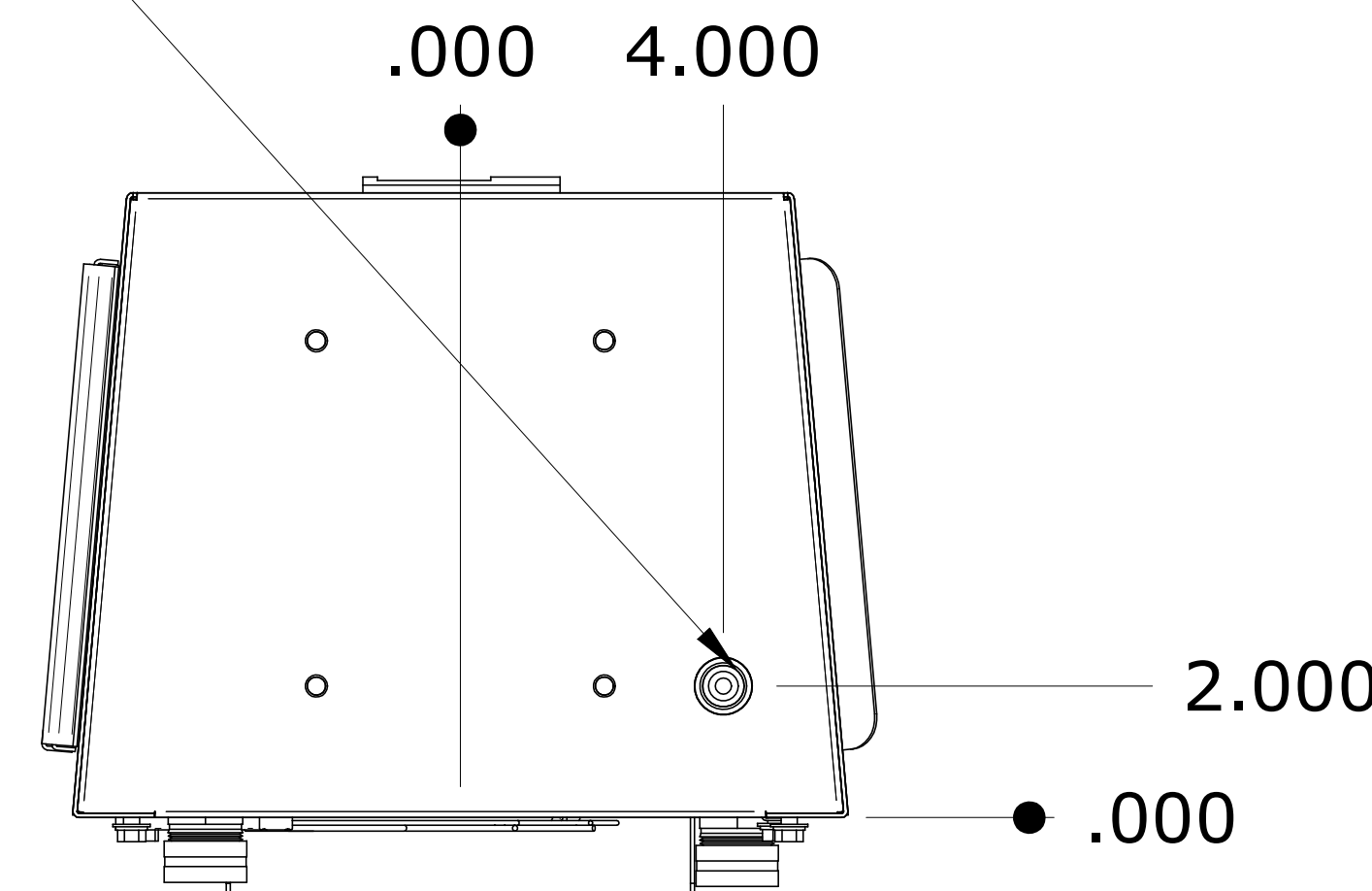
FUSES

10.901
2x
460V-480V
POWER CORD



GASKET LOCATION

CONDENSATE EMERGENCY OVERFLOW
 11/16-16 STRAIGHT THREAD
 MAXIMUM THREAD DEPTH .31"



NAME	DATE	TITLE	SCALE	WEIGHT
DRAWN atittle	06/17/08	ISC-NE-020-486	SCALE: FULL	WEIGHT:
CHECKED				
ENG APPR				
MGR APPR				
UNLESS OTHERWISE SPECIFIED DIMENSIONS ARE IN INCHES ANGLES ±1° or 1 PL ±0.5° 2 PL ±0.03 3 PL ±0.020		FILE NAME: isc_ne_020-486_drwg.dft		