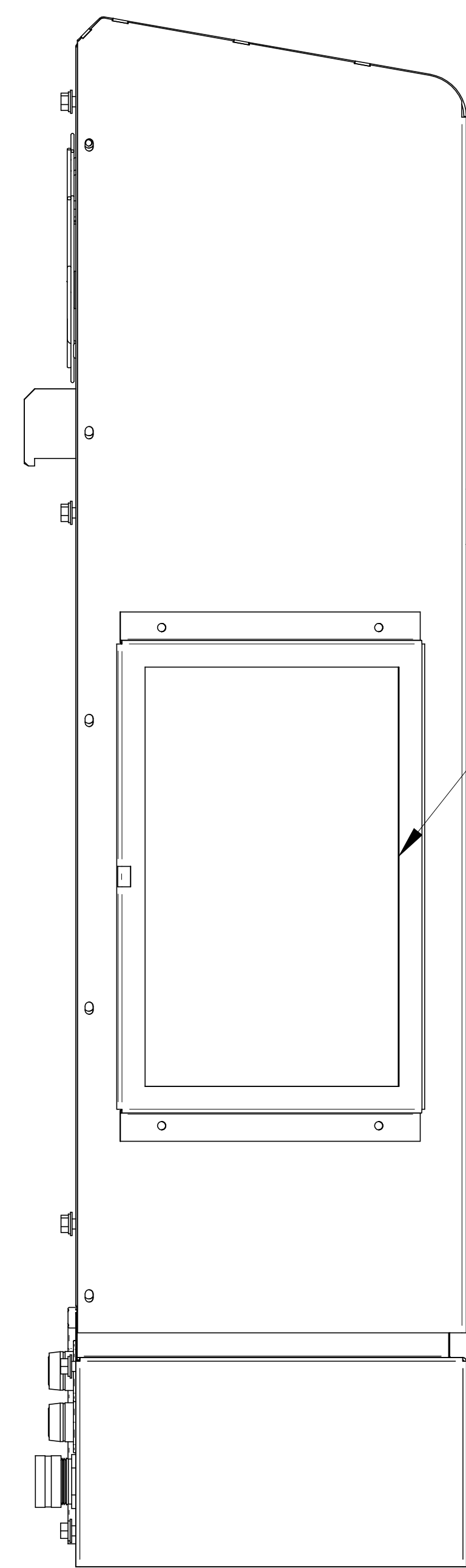
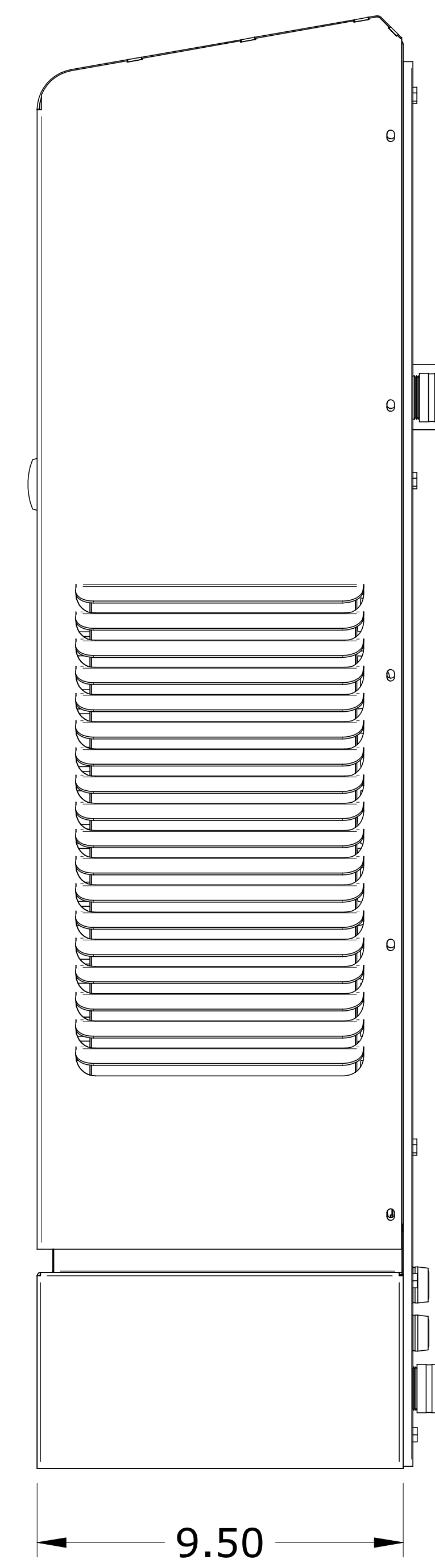
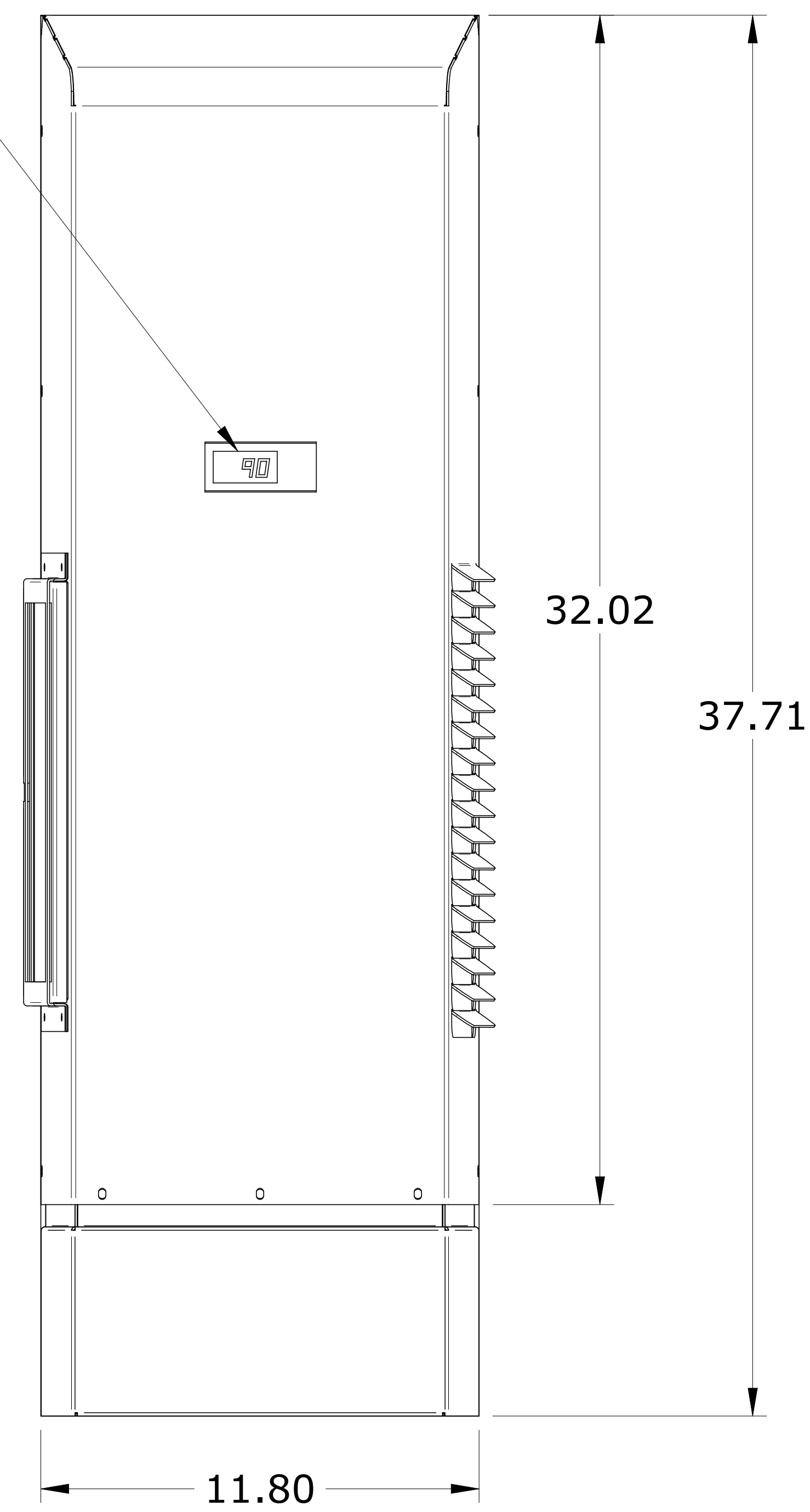


DETAIL A



DIGITAL TEMPERATURE CONTROLLER

AMBIENT AIR IN REUSABLE FILTER



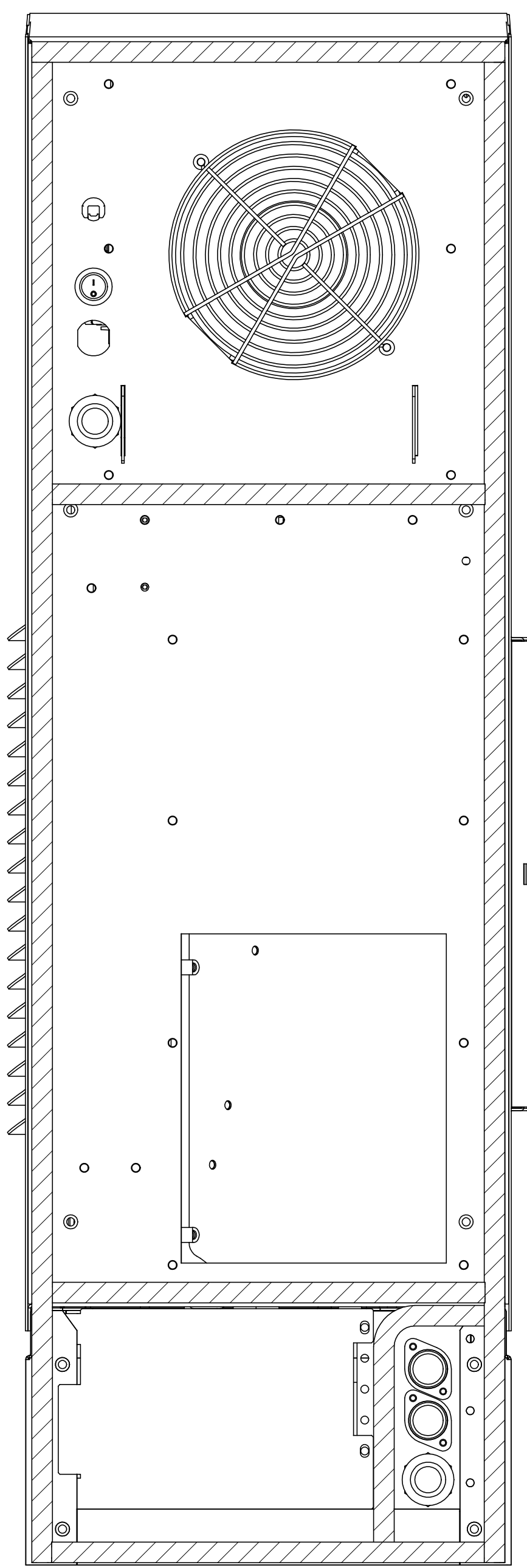
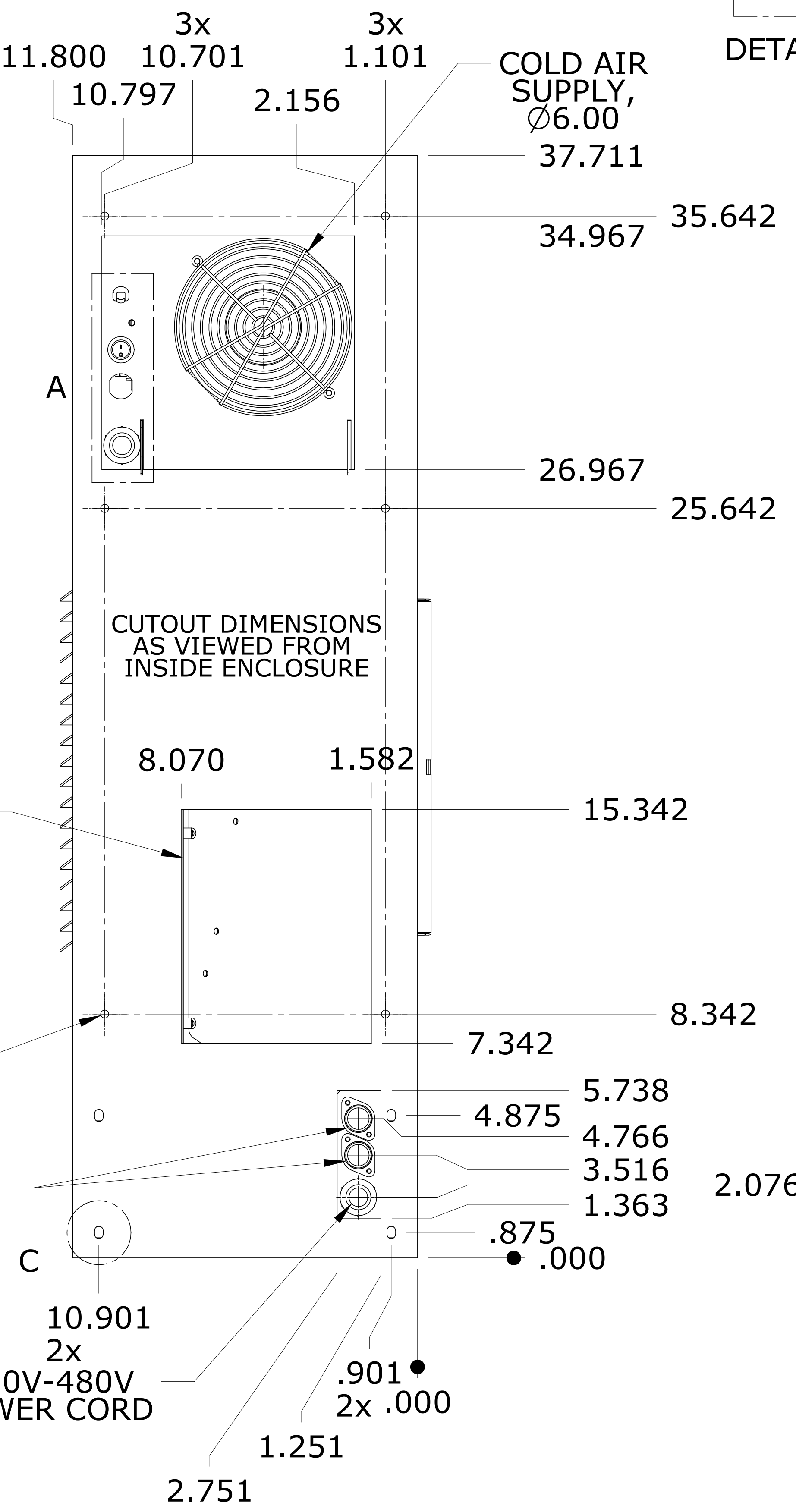
EASY HANG TABS

COLD AIR SUPPLY

6X Ø .277

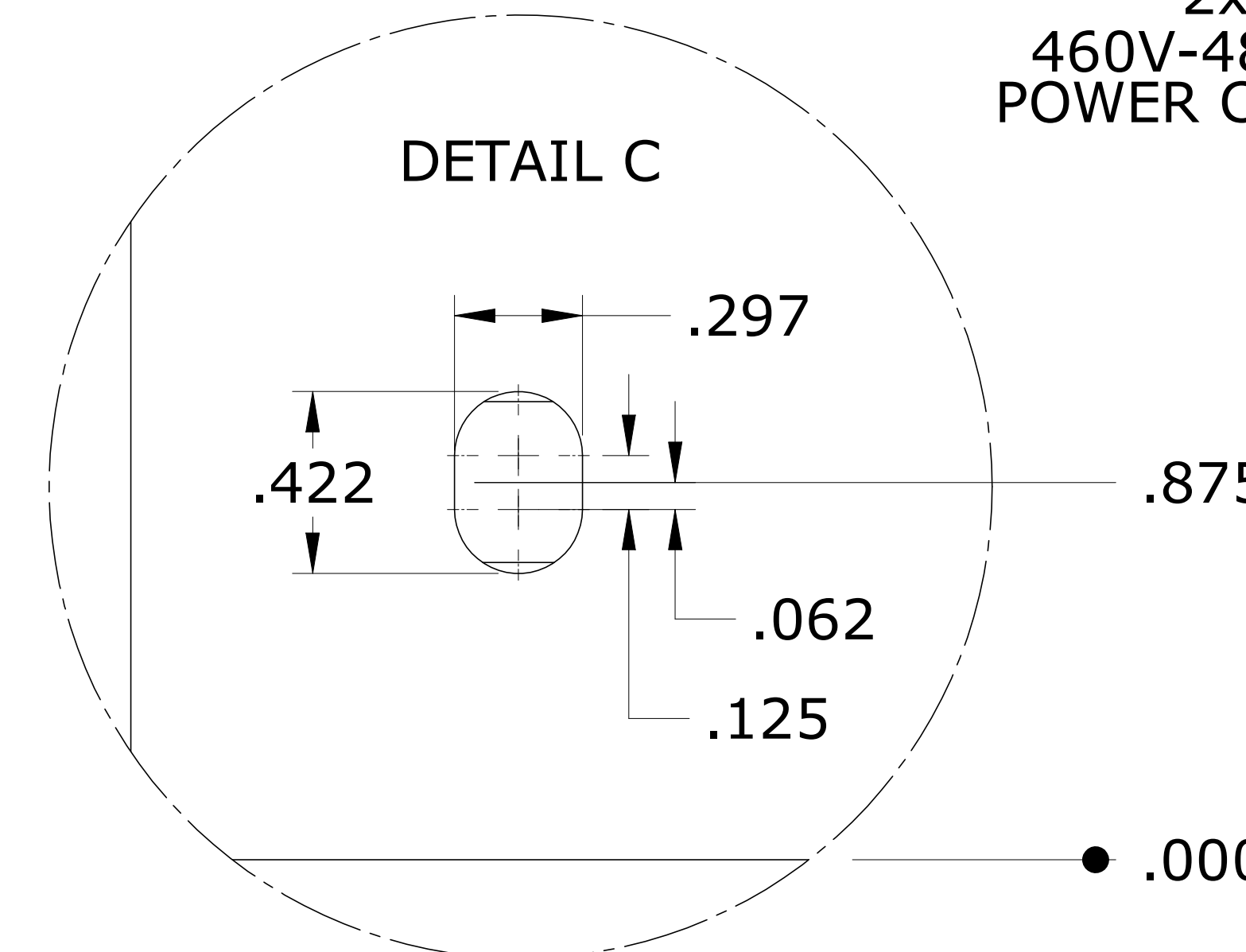
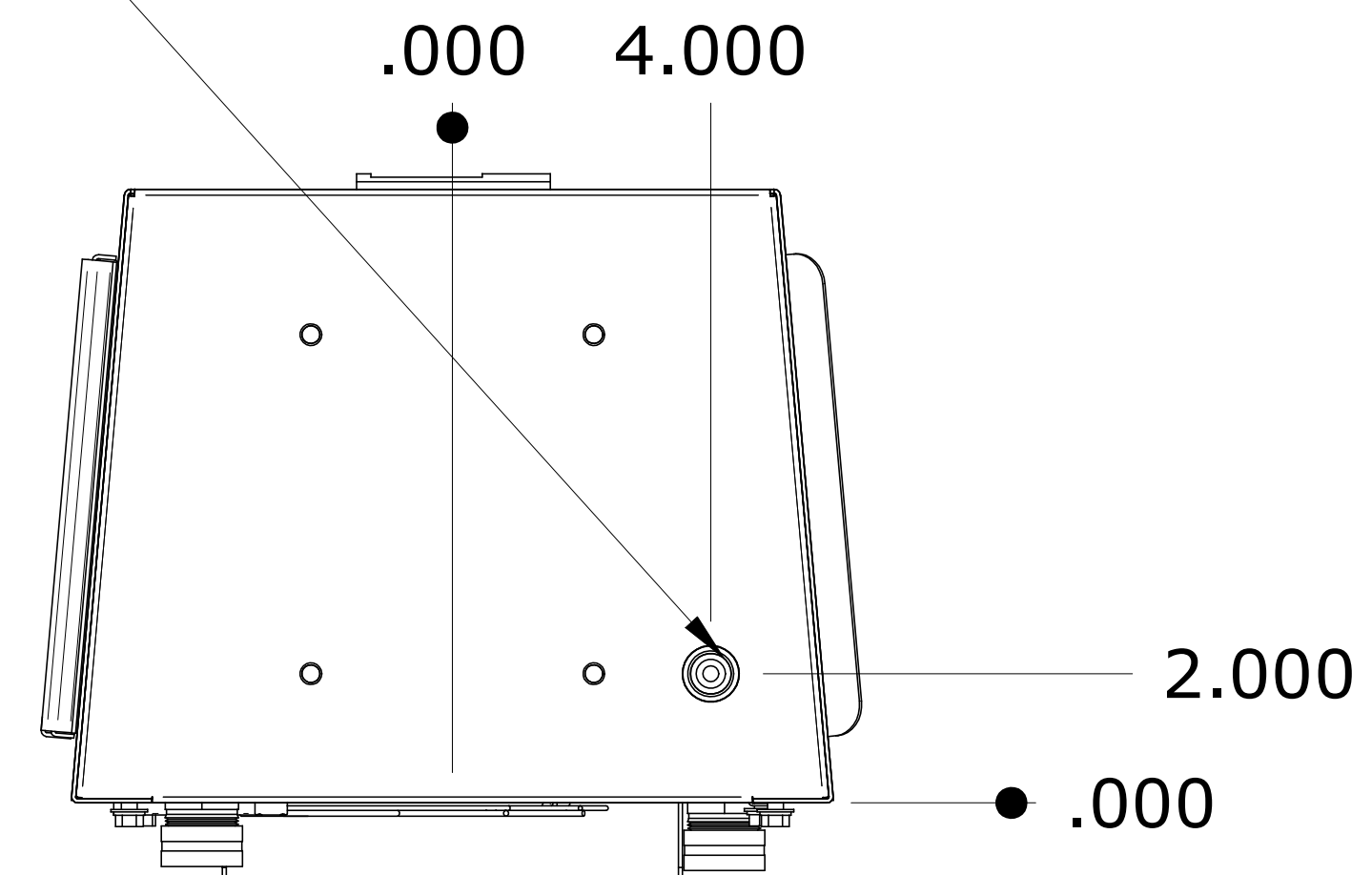
FUSES

10.901  
2x  
460V-480V  
POWER CORD



GASKET LOCATION

CONDENSATE EMERGENCY OVERFLOW  
 11/16-16 STRAIGHT THREAD  
 MAXIMUM THREAD DEPTH .31"



| NAME  | DATE     | TITLE                              | SCALE       | WEIGHT  |
|---|----------|------------------------------------|-------------|---------|
| DRAWN atittle   | 05/29/08 | <b>ISC-NE-040-486</b>              | SCALE: FULL | WEIGHT: |
| CHECKED   |          |                                    |             |         |
| ENG APPR  |          |                                    |             |         |
| MGR APPR  |          |                                    |             |         |
| UNLESS OTHERWISE SPECIFIED DIMENSIONS ARE IN INCHES ANGLES ±1° or 1 PL ±0.5° 2 PL ±0.03 3 PL ±0.020 |          | FILE NAME: isc_ne_040-486_drwg.dft |             |         |