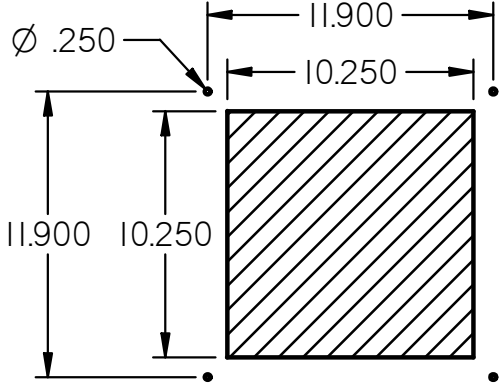
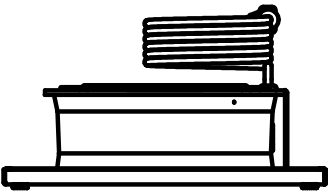


SPEC DRAWING
500 MFFP



500 MFFP CUTOUT DRAWING
1:8

