

Description

Model 2005 is a Rapid Exchange[®] purging system that operates on a supply of compressed instrument air or inert gas. It regulates and monitors pressure within sealed (protected) enclosure(s), in order to remove and prevent flammable gas or vapor accumulations. The system accomplishes four air exchanges and maintains a "safe" (0.25") pressure. A Pepperl+Fuchs Model EPV-5 Enclosure Protection Vent is required for proper operation. In addition, the system includes an electrical power control unit (EPCU) that monitors system operation and controls enclosure power. All start-up requirements must be satisfied before the EPCU will energize power to the enclosure(s). This process reduces the hazardous (classified) area rating within the enclosure(s), in accordance with the NEC - NFPA 70, Article 500, NFPA 496 and ISA 12.4.

Basic Operation

In accordance with system instructions, start-up requires the air supply to be engaged and EPCU power to be energized. The enclosure protection vent must be tested and the enclosure(s) must be sealed. The EPCU power control switch must be activated and the system will self-test. The enclosure pressure control valve is used to manually set a safe reading on the enclosure pressure indicator. When safe pressure is stable, the Rapid Exchange[®] control valve is fully engaged by manual or automatic means (dependent on System Style, see below). Upon completion of the Rapid Exchange[®] cycle, (five minutes minimum) the Rapid Exchange[®] control valve disengages manually or automatically. Pressure returns to the safe setting and enclosure power is energized by the EPCU. Loss of safe pressure causes the EPCU to deenergize power to the protected enclosure(s). All systems include form "C" contacts for audible or visual alarm systems.

Style Variances

STD (Standard) Style systems require manual operation of the Rapid Exchange[®] control valve.

SA (Semiautomatic) Style systems require manual engagement of the Rapid Exchange[®] control valve to initiate the exchange cycle, but automatically disengages the valve upon completion of the cycle. Loss of safe pressure requires an operator to manually restart both systems above

FA (Fully Automatic) Style systems engage and disengage the Rapid Exchange[®] control valve automatically, after an operator manually sets a safe pressure. In addition, FA Style systems restart automatically after a power or air pressure failure.

Rapid Exchange[®] is a Registered Trademark of Pepperl+Fuchs, Inc.

Model 2005



STD Style
(Standard)



FA/SA Style
(Fully Automatic/Semiautomatic)



Standard Model Applications

Model Number: 2005 Type X Designation: Purging System Enclosure Volume: 450 ft ³ max.	
STD (Standard) Style UL & FM Certified: Cl. I, Div. 1, Group C&D* Rating Reduction: Div. 1 to Unclassified	
SA (Semiautomatic) Style UL & FM Certified: Cl. I, Div. 1, Group C&D Rating Reduction: Div. 1 to Unclassified	FA (Fully Automatic) Style UL & FM Certified: Cl. I, Div. 1, Group C&D Rating Reduction: Div. 1 to Unclassified
*FM Certified Group B System Available in STD Style	

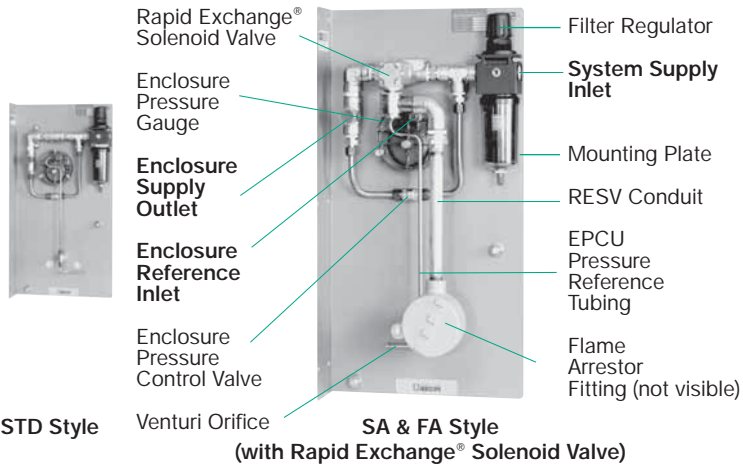
2000
SERIES

Type X

Type X

2000
SERIES

Type X



CONNECTION POINTS SHOWN ABOVE IN BOLD TEXT ON SYSTEM DIAGRAM

System Specifications

System Dimensions:	See Page 74
Shipping Weight:	STD - 51 lb / SA & FA - 53 lb
Temp. Range:	-20°F to +120°F
Supply Pressure Range:	80 - 120 psi max.
Capacity & Filtration:	8.5 oz @ 40 Microns
Supply Requirements:	Clean air or inert gas
Safe Press. Setpoint:	0.25" @ Safe Press.
Safe Press. Flowrate:	* 0.1 - 3.5 SCFH
Exchange Pressure:	3" - 5"
Exchange Flowrate:	** 60 SCFM/3600 SCFH
Exchange Time:	1 Minute/15 ft ³
System Supply Port:	1/2" FPT
Enclosure Supply Fitting:	1/2" FPT
Enclosure Reference Fitting:	1/4" Tube Fitting
EPCU Conduit Port Size:	1/2" FPT
EPCU Power Requirements:	120 VAC 60 Hz 1Ø
(European 220 voltage only)	240 VAC 50 Hz 1Ø
(All voltage ratings are factory set)	*** 12-48 VDC
EPCU Power Consumption:	500 mA
Power Relay Contacts:	20 A @ 240 VAC
	20 A @ 28 VDC
	*** 20 A @ 48 VDC
Alarm Relay N.O. Contact:	20 A @ 240 VAC
	20 A @ 28 VDC
Alarm Relay N.C. Contact:	15 A @ 240 VAC
	10 A @ 28 VDC

Material Specifications

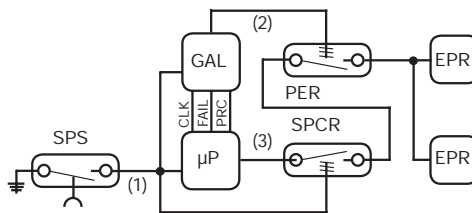
Filter Regulator Body:	Zinc w/Enamel Finish
Regulator Handle & Bowl:	Polycarbonate
Enclosure Pressure Gauge:	Alum. w/Enamel Finish
Rapid Exchange Gauge:	Poly Case & Brass Tube
Rapid Exchange Solenoid:	Brass w/Enamel Finish
Pipe Fittings & Valves:	316 SS Forged Body
Tubing:	316 SS 1/4" .035 Welded
System Nameplates:	Silkscreened Lexan® & SS
Fastener Hardware:	Alum. & Stainless Steel Screws & Bolts
Mounting Plate:	316 14 Ga #3 Brush SS
EPCU Enclosure Body:	Bead Blast Cast Alum.
Conduit & Fittings (SA & FA):	Galvanized Steel
Enclosure Warning Nameplate:	Silkscreened SS

Lexan® is a registered trademark of the General Electric Corporation

Simplified EPCU Redundant Logic Diagram

OPERATION

Signal (1) from SPS is sent to μ P, GAL and SPCR coil. During start-up, GAL verifies all μ P functions. GAL & μ P must receive uninterrupted signal from SPS to prevent logic resetting. After GAL verifies all start-up procedures, it sends "power enabled" Signal (2) to PER coil. Then, μ P sends "power request" Signal (3) through the SPCR and PER contacts to EPR coils.



- SPS - SAFE PRESSURE SWITCH
- GAL - GATE ARRAY LOGIC
- μ P - MICROPROCESSOR
- PER - POWER ENABLED RELAY
- SPCR - SAFE PRESSURE CONFIRMATION RELAY
- EPR - ENCLOSURE POWER RELAY

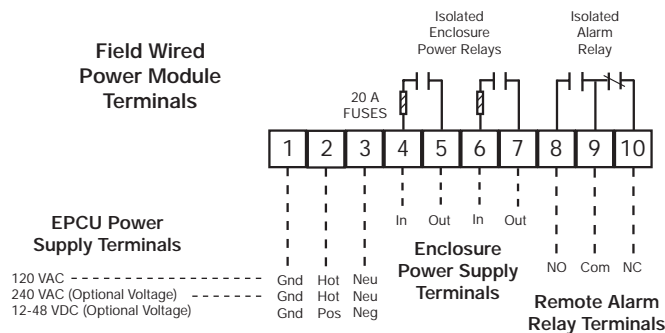
EPCU Description

The Pepperl+Fuchs 2000 Series EPCU is a factory programmed, field adjustable, microprocessor controlled unit featuring full status indication, redundant gate array logic and electromechanical relays. The EPCU is constructed from four major items: (1) a power module, (2) a pressure switch module, (3) a logic module and (4) a power mode selector switch. The sections are linked with polarized cable, and the boards are stacked in the EPCU enclosure on standoffs.

Basic EPCU Operation

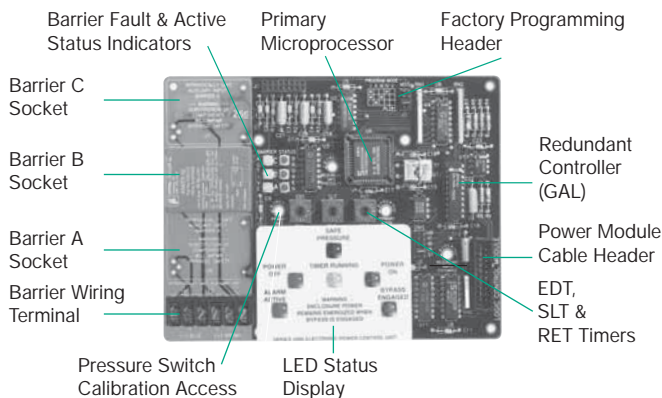
When power is "off", the EPCU is at rest, alarm and power relays are deenergized, and the LED display is off. When power is switched "on", the EPCU performs a self-test of LED display and logic functions. The unit will then start-up. Class I units must detect a 0.25" pressure to energize the alarm relay and begin an exchange cycle. When the cycle stops, the power relays will energize. Loss of safe pressure on either unit causes alarm and power relays to deenergize (see power control options for more information regarding EPCU operation).

Electrical Wiring Diagram

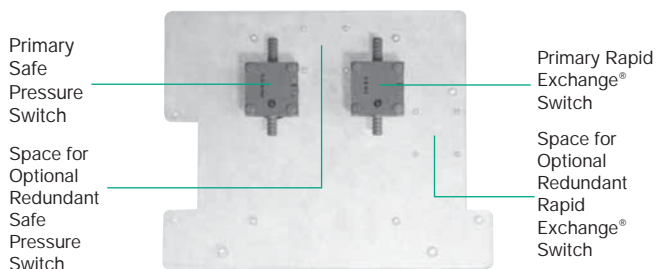


120 VAC -----
240 VAC (Optional Voltage) -----
12-48 VDC (Optional Voltage)

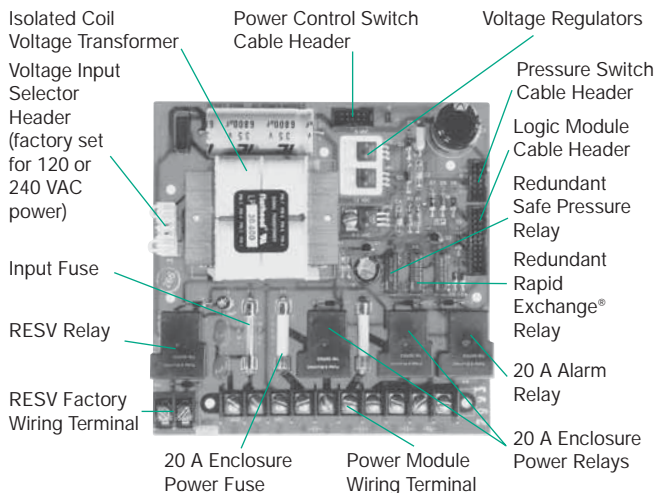
EPCU Logic Module



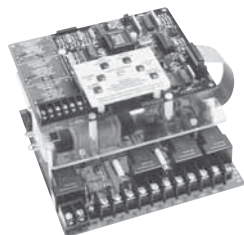
EPCU Pressure Switch Module



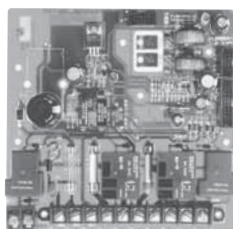
120/240 VAC EPCU Power Module



Assembled Electrical Power Control Unit



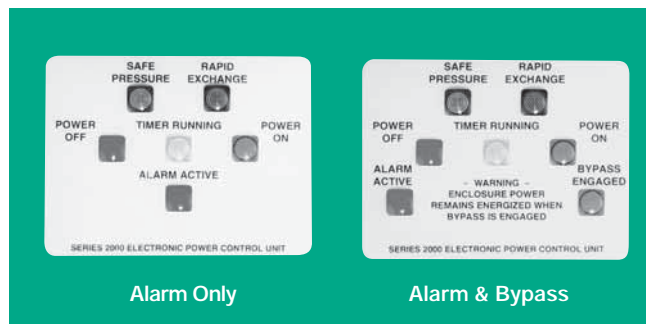
Optional 12-48 VDC EPCU Power Module



EPCU Features

LED DISPLAY INDICATORS

Power Off:	Enclosure Power Relays Deenergized
Power On:	Enclosure Power Relays Energized
Safe Pressure:	Enclosure Pressure > 0.15" w.c.
Rapid Exchange:	Enclosure Pressure > 2.0" w.c.
Timer Running:	Rapid Exchange® Timer Active
Alarm Active:	Enclosure Pressure < 0.15" w.c.
Bypass Engaged:	Control Bypass Active - CB



FIELD ADJUSTABLE TIMER FUNCTIONS

EDT (Exchange Delay Timer) (FA Style only) provides a time delay to prevent Rapid Exchange® solenoid valve from energizing until safe pressure can be stabilized.

SLT (Solenoid Latching Timer) (FA Style only) provides a time delay to keep the Rapid Exchange® solenoid valve energized until exchange pressure is detected. If the pressure is not detected, the EPCU will reset.

RET (Rapid Exchange Timer) provides a time delay after Rapid Exchange® pressure is detected, to allow four volume exchanges prior to energizing the enclosure power relays. If safe pressure or Rapid Exchange® pressure is lost or interrupted during time delay cycle, the EPCU will reset.

Power Control Options

NORMAL RUNNING (NR) MODE

EPCU features an on-off push-button power control switch to activate control functions. Switch must be depressed to initiate start-up. After completion of start-up, safe pressure must be lost or switch must be depressed to deenergize enclosure power relays.

CONDITIONAL BYPASS (CB) MODE

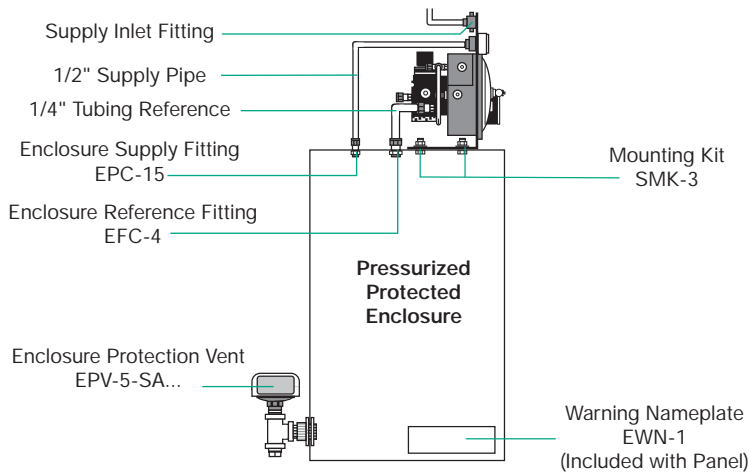
EPCU features an off-on-bypass power control switch to activate control functions. Switch must be set to "on" position to initiate start-up. After enclosure power is energized, safe pressure must be lost or switch must be set to "off" position to deenergize enclosure power. After enclosure power is energized, switch may be set to "bypass" position to temporarily latch enclosure power relays. A flashing LED then indicates bypass engaged, and the enclosure can be accessed without deenergizing power (performed under specific conditions). Following access, safe pressure must be reestablished to resume normal operation. At that time, the switch may be reset to the "on" position without disruption of enclosure power. Alarm relay normally deenergizes only upon loss of safe pressure, but can be programmed to deenergize when bypass is engaged, if specified at time of order.

2000
SERIES

Type X

Type X

System Accessories Diagram



Model Number Designations

2005 - STD - CI - NR - LH - ##

Series Model Number
System Style
 STD - Standard
 SA - Semiautomatic
 FA - Fully Automatic

Area Classification
 CI - Class I, Group C & D Area
 IB - Class I, Group B Area (STD Only)

Power Control Mode
 NR - Normal Running
 CB - Conditional Bypass

Mounting Configuration
 LH - left hand left side of enclosure
 RH - right hand right side of enclosure
 TM - top mount top of enclosure
 BM - bottom mount bottom of enclosure
 WM - wall mount wall surface
 FM* - frame mount external frame or rack
 PM* - panel mount enclosure surface cutout
 * FM & PM Configurations feature flush mount EPCU.
 Flush mount EPCU is not suitable for Group B Area.

- See Accessories Page 118 for additional factory installed accessories

OPTIONAL INTRINSIC SAFETY BARRIERS DESCRIPTION & OPERATION

The EPCU Logic Module can accommodate up to three intrinsic safety barriers to interact with remote devices and affect operation of the EPCU. The barriers are installed and programmed by the factory at time of order, and they are designed to function either in conjunction with a customer furnished switch and a Pepperl+Fuchs furnished resistor network cable, or a Pepperl+Fuchs furnished proximity detector. Each barrier develops a low power signal to create a two-wire closed-loop circuit. Operational status of each barrier is indicated by a green LED to show active (closed switch) status, and by a red LED to show faulted (line breakage) cable status. All barriers can be reprogrammed to duplicate other barrier functions as required, upon specific request.

BARRIER PROGRAMMING OPTIONS

Barrier A Function - when switch opens
 Disables start-up cycle
 Deenergizes enclosure power and alarm relay
 Functions parallel to safe pressure switch

Barrier B Function - when switch opens
 Not programmed - custom applications only

Barrier C Function - when switch closes
 Energizes RESV relay - custom applications only

Model 2005 System Accessories (See accessories page for complete details)

CONNECTION FITTINGS

EFC-4 1/4" Flush Connector
 EPC-15 2" Pipe Connector

ADDITIONAL ITEMS

SMK-2, -3 or -10 System Mounting Kit
 RAH Remote Alarm Horn
 RAB-1 Div. 1 Remote Alarm Beacon
 LCK L Fitting Conduit Kit
 TCK T Fitting Conduit Kit
 SRM-4000 Switch Resistor Module
 NJ... P+F Namur Sensor

INSTALLATION & OPERATION MANUAL

129-0214 Inst. & Operation Manual

ENCLOSURE PROTECTION VENTS

ONE VENT REQUIRED WITH EACH SYSTEM

EPV-5-SA-00 Straight w/Spark Arrestor
 EPV-5-SA-90 Rt Angle w/Spark Arrestor

WARNING NAMEPLATES

EWN-1 Class I Enclosure Warning
 ETW Enclosure Temperature Warning

FACTORY INSTALLED ACCESSORIES

DCPM-2.0 12-48 VDC Power Module
 IS1 Channel A Barrier
 IS2* Channel B Barrier
 IS3* Channel C Barrier
 RP1 Redundant Safe Pressure Switch
 RP2 Redundant Rapid Exchange Switch
 L Power Switch Key Lock Assembly

*Requires custom programming information

ONE (1) ENCLOSURE WARNING NAMEPLATE & ONE (1) INSTALLATION & OPERATION MANUAL ARE PROVIDED WITH EACH SYSTEM

Overall System Dimensions						
STD / SA & FA	LH - left hand	RH - right hand	TM - top mount	BM - bottom mount	WM - wall mount	FM or PM - flat panel
Height	25	25	14	14	25	27
Width	13.50	13.50	25	25	13.50	15.50
Depth	10.75 / 15.25	10.75 / 15.25	10.75 / 15.25	10.75 / 15.25	12.50 / 16.50	11.25 / 15.75

Dimensions in inches. Mounting dimensions available upon request. FM & PM panel cutout dimensions: 26h x 14.50w
 Height & Width dimensions reflect mounting plate measurements. Depth dimension reflects overall measurement of system, including components.

2000 SERIES

Type X