



# Small Thermostat



- Compact design
- Wide adjustment range
- Available with °F or °C scale
- Color coded temperature dials
- DIN rail mountable

**Thermostat “NC” (normally closed):**  
Thermostat opens at temperature rise.  
Comes with a **red** temperature dial.

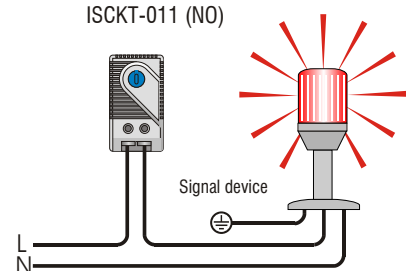
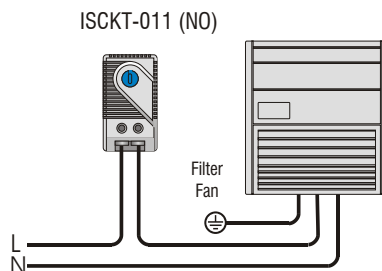
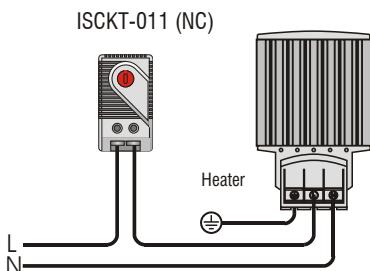
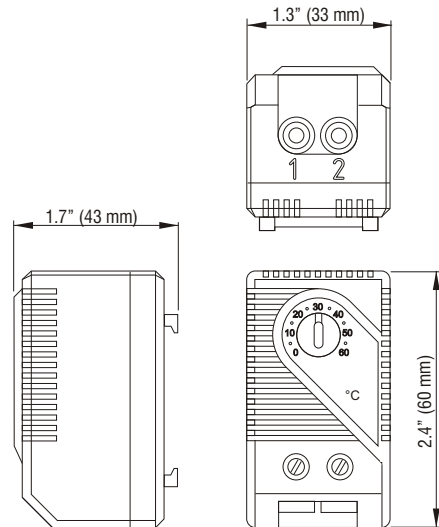
**Thermostat “NO” (normally open):**  
Thermostat closes at temperature rise.  
Comes with a **blue** temperature dial.



## Technical Data ISCKT 011

Part No.	Contact type	Scale on housing
ISCKT-011-NC	normally closed	32 - 140°F
ISCKT-011-NO	normally open	32 - 140°F
ISCKT-011-NCC	normally closed	0 - 60°C
ISCKT-011-NOC	normally open	0 - 60°C

Sensor element:	Thermostatic bi-metal
Maximum tolerance:	±7.2°F (4K)
Switching difference (hysteresis):	12.6°F ± 5.4°F (7°C ± 3K)
Service life:	100,000 cycles
Switching capacity (max. load):	15A resistive/2A inductive @ 120 VAC 10A resistive/2A inductive @ 250 VAC DC 30W
EM/EMC compliance:	EN 55014-1-2, EN 61000-3-2, EN 61000-3-3
Connections:	2-pole terminal for AWG 14 max. (2.5 mm <sup>2</sup> )
Mounting:	Clip for 35 mm DIN rail (EN 50022)
Dimensions (H x W x D):	2.4 x 1.3 x 1.7" (60 x 33 x 43 mm)
Housing:	Plastic, UL94V-0
Weight:	1.27 oz (36 g)
Protection type:	IP 20
Operating/storage temperature:	-4 to 176°F (-20 to 80°C)
Agency approvals:	VDE, UL, CSA



Wiring examples