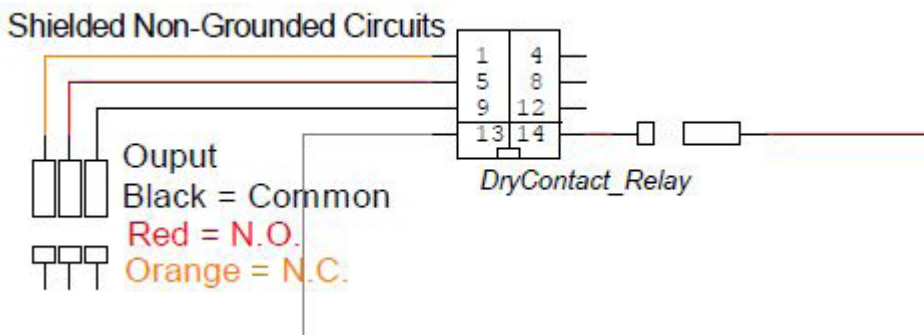




Dry Contact Functionality

This addendum covers the functionality of the dry contact option. Our dry contact option provides you with a notification when a high temperature alarm is present. The default alarm setting is 105 deg F with a 2 degF recovery. The initial conditions for the dry contact are normally closed and normally open settings when unit is off. When the unit is powered the initial conditions remain the same, only in the event of a high temperature alarm will the relay become activated.

Note: The dry contact is not a power status indicator, rather a high temperature alarm alerting you that the unit is unable to meet the cooling set point.



The relay is Form C, gold plated contacts. Rated at 7.5Amps for 120VAC, and 7.0 Amps for 240/480.

The wire is a shielded Non-Grounded 22AWG

Common = Black
Normally Open = Red
Normally Closed = Orange

Black wire makes to red when alarm is present.

