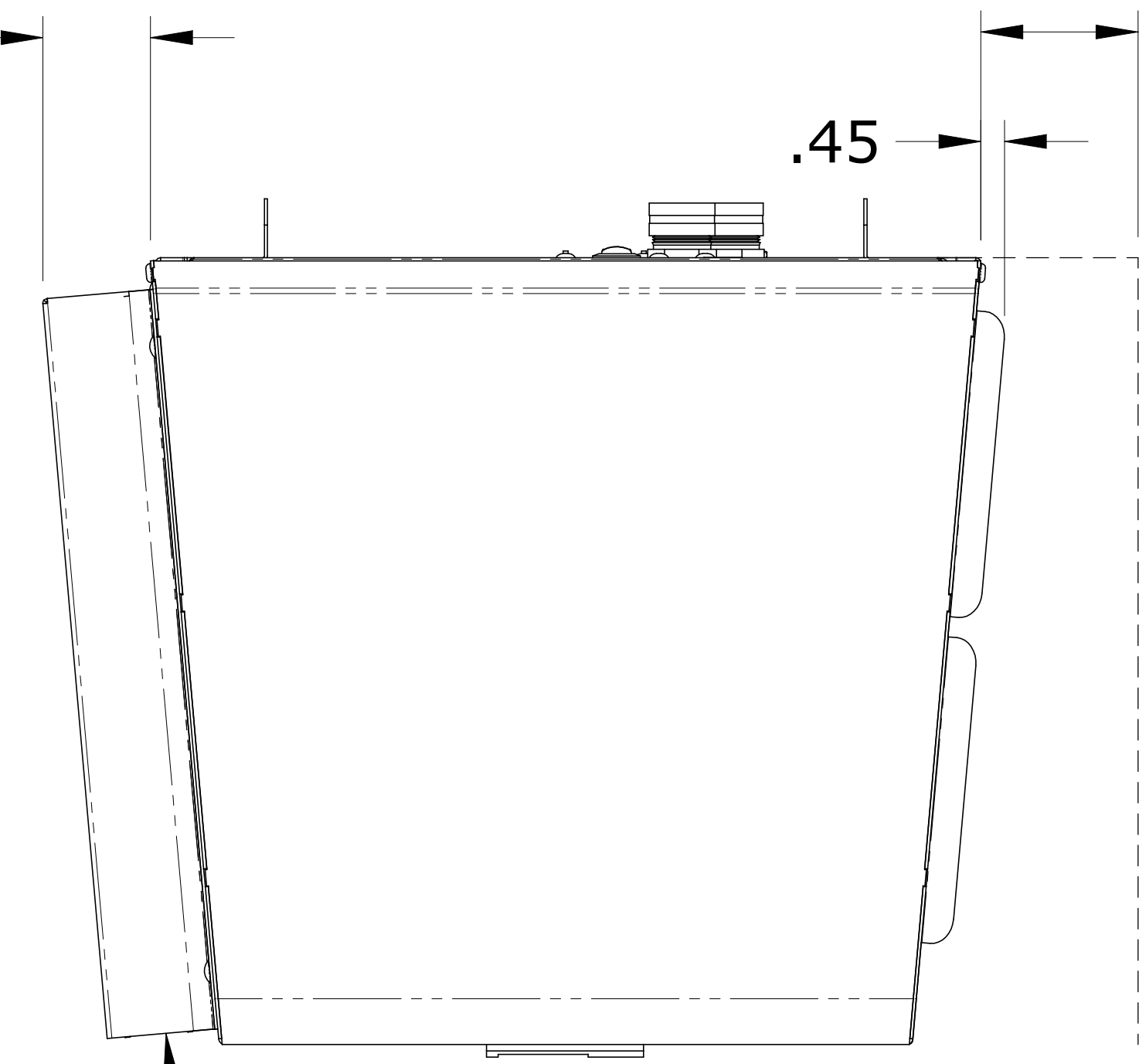


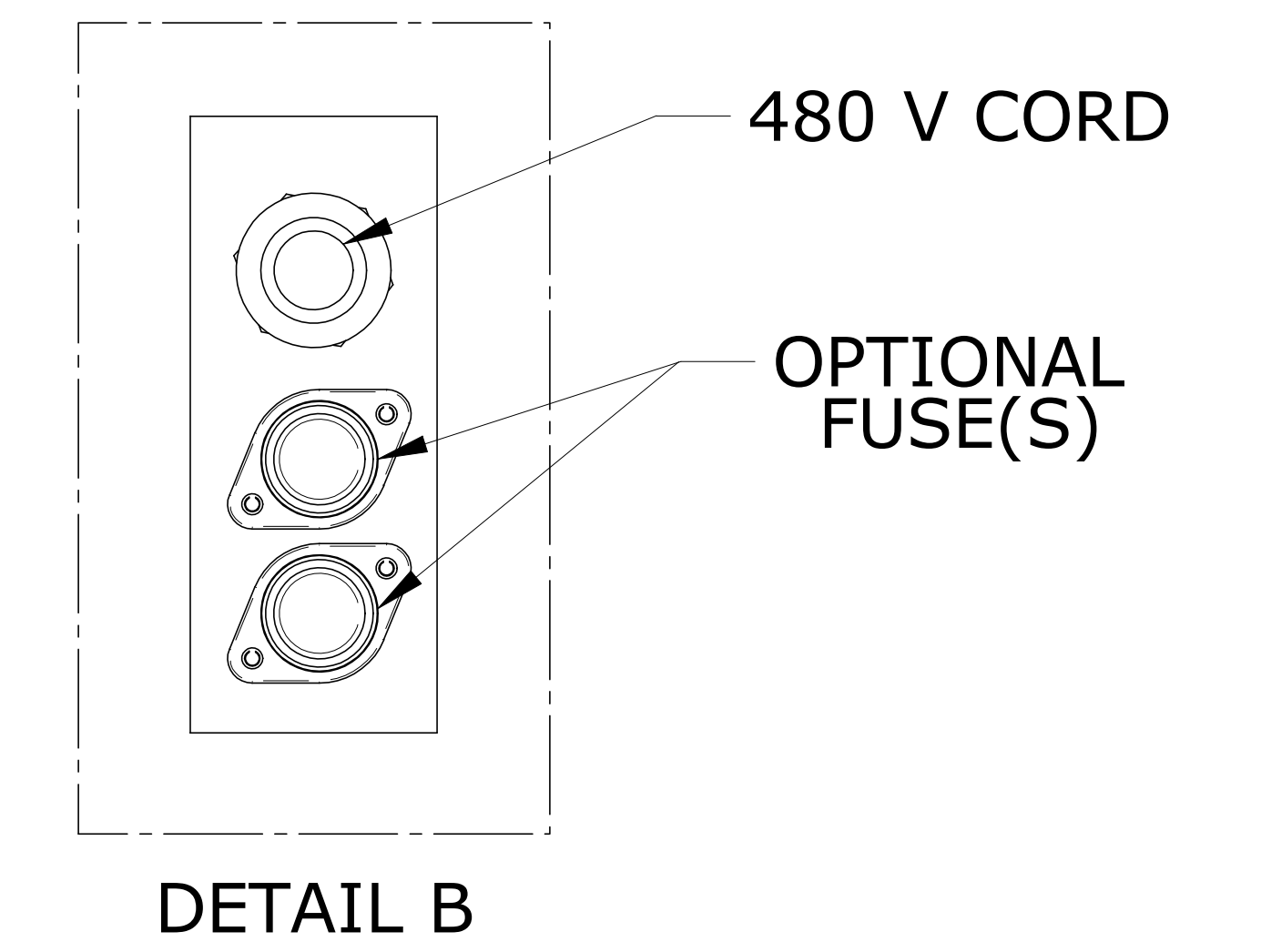
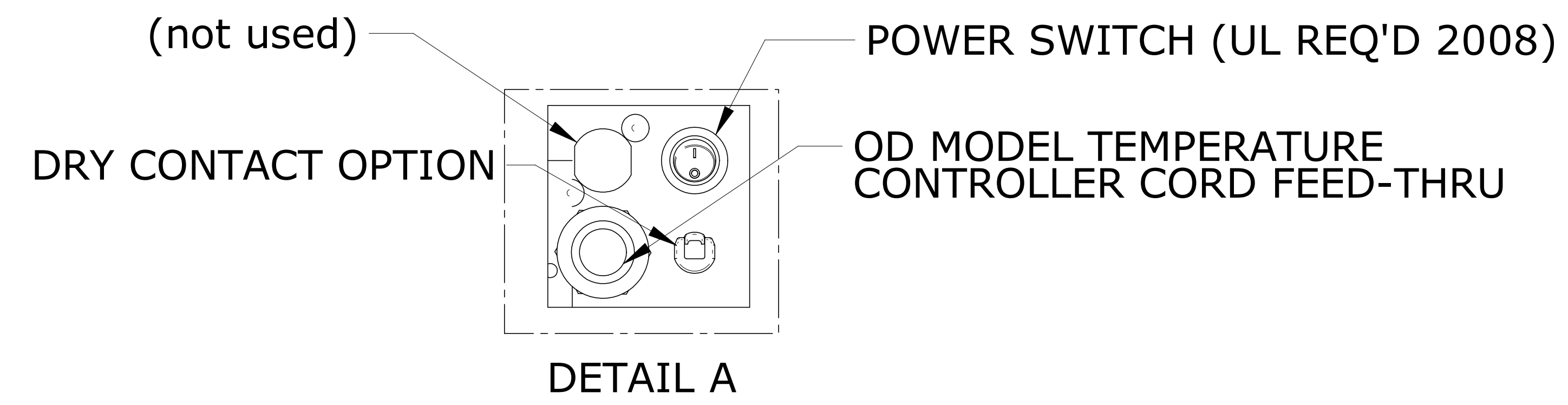
2.05  
2" OPTIONAL FILTER

3.00  
CLEARANCE  
BOTH SIDES

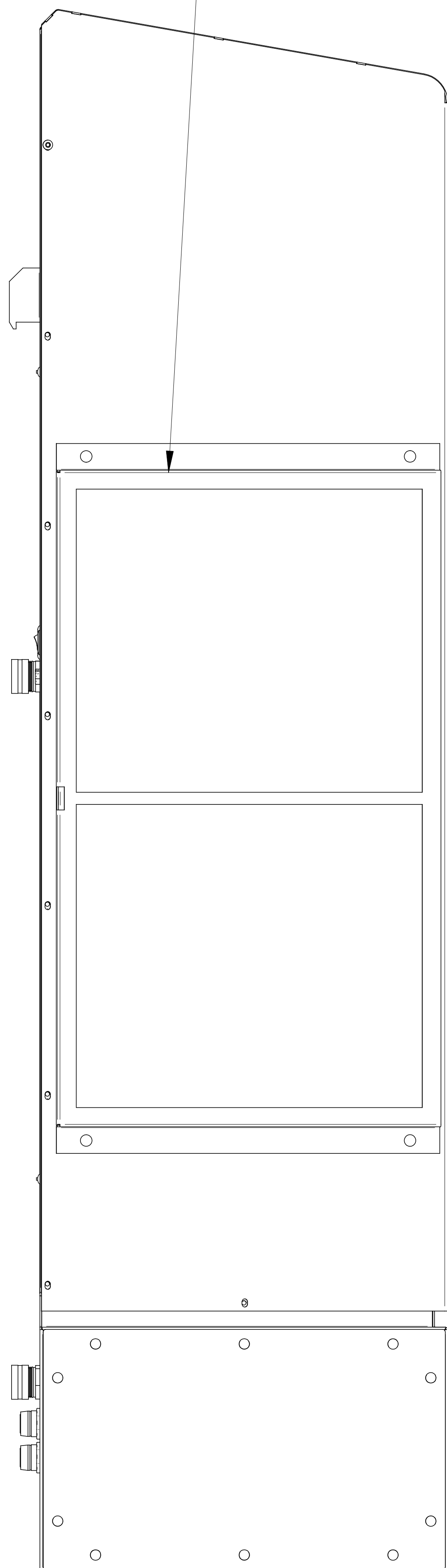


.45

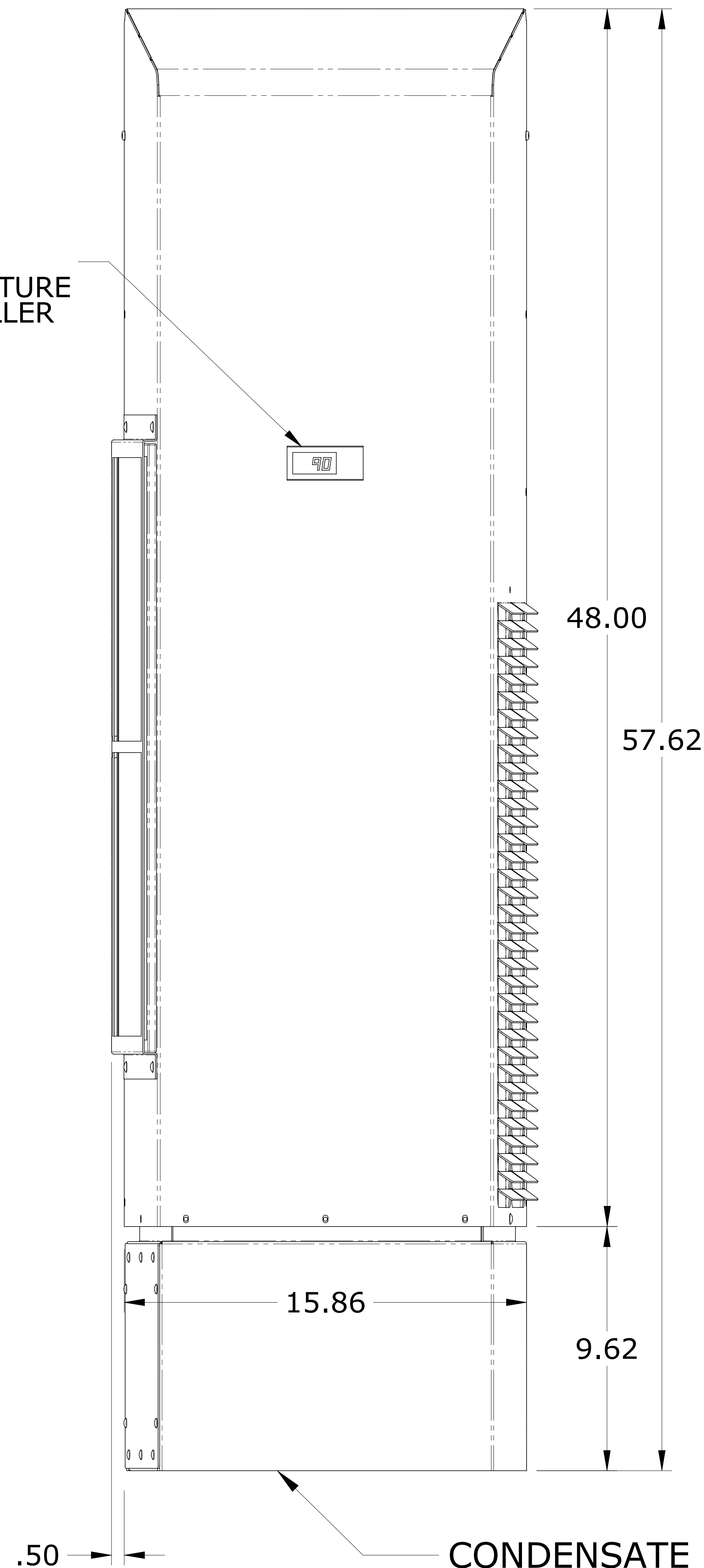
OPTIONAL 2" PLEATED FILTER.  
SLIDING FRAME ONLY.



AMBIENT AIR IN.  
REUSABLE FILTER.  
OPTIONAL FRAME:  
1) SECURITY FRAME STANDARD  
ON STAINLESS STEEL  
2) SLIDING FRAME STANDARD  
ON PAINTED  
3) OPTIONAL 2" FILTER  
WITH SLIDING FRAME ONLY



DIGITAL  
TEMPERATURE  
CONTROLLER



EASY HANG  
MOUNTING

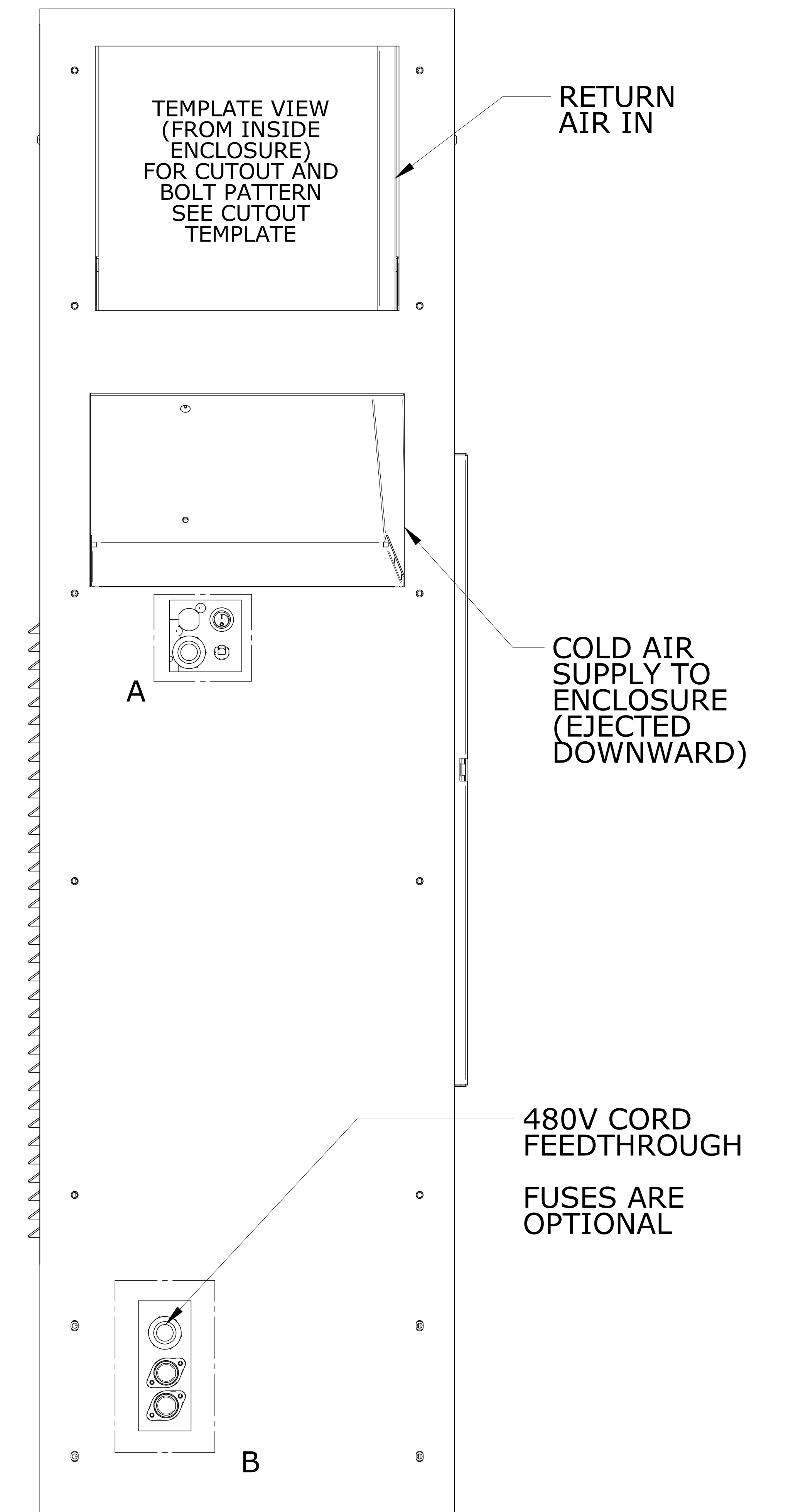
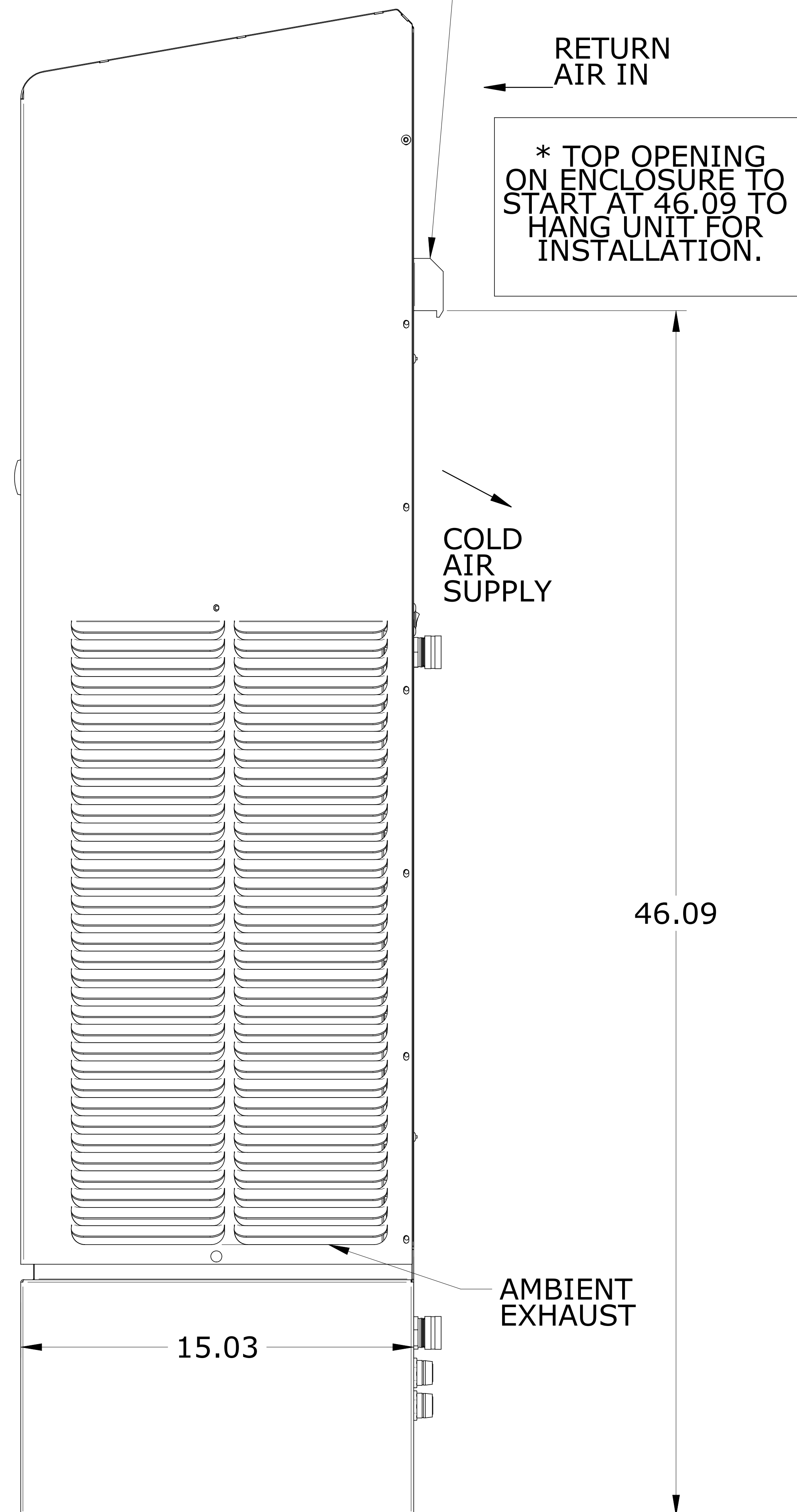
RETURN  
AIR IN

\* TOP OPENING  
ON ENCLOSURE TO  
START AT 46.09 TO  
HANG UNIT FOR  
INSTALLATION.

COLD  
AIR  
SUPPLY

46.09

AMBIENT  
EXHAUST



TITLE			<b>HIGH CAPACITY 480 V HC100-486</b>		
SIZE	DWG NO				REV
136" x 100"	<b>HC100-486</b>				
SCALE:	WEIGHT:	SHEET 1 OF 1			