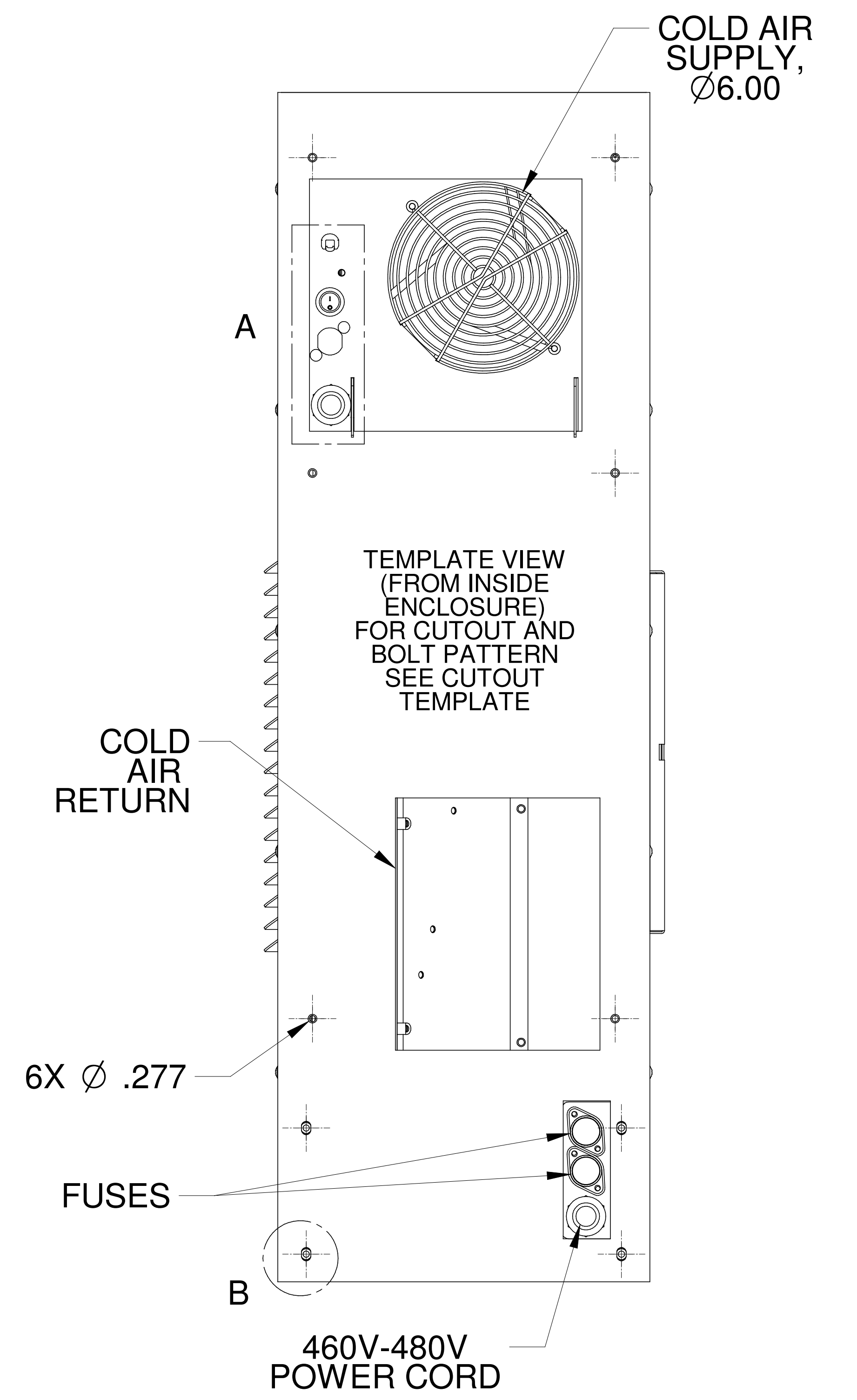
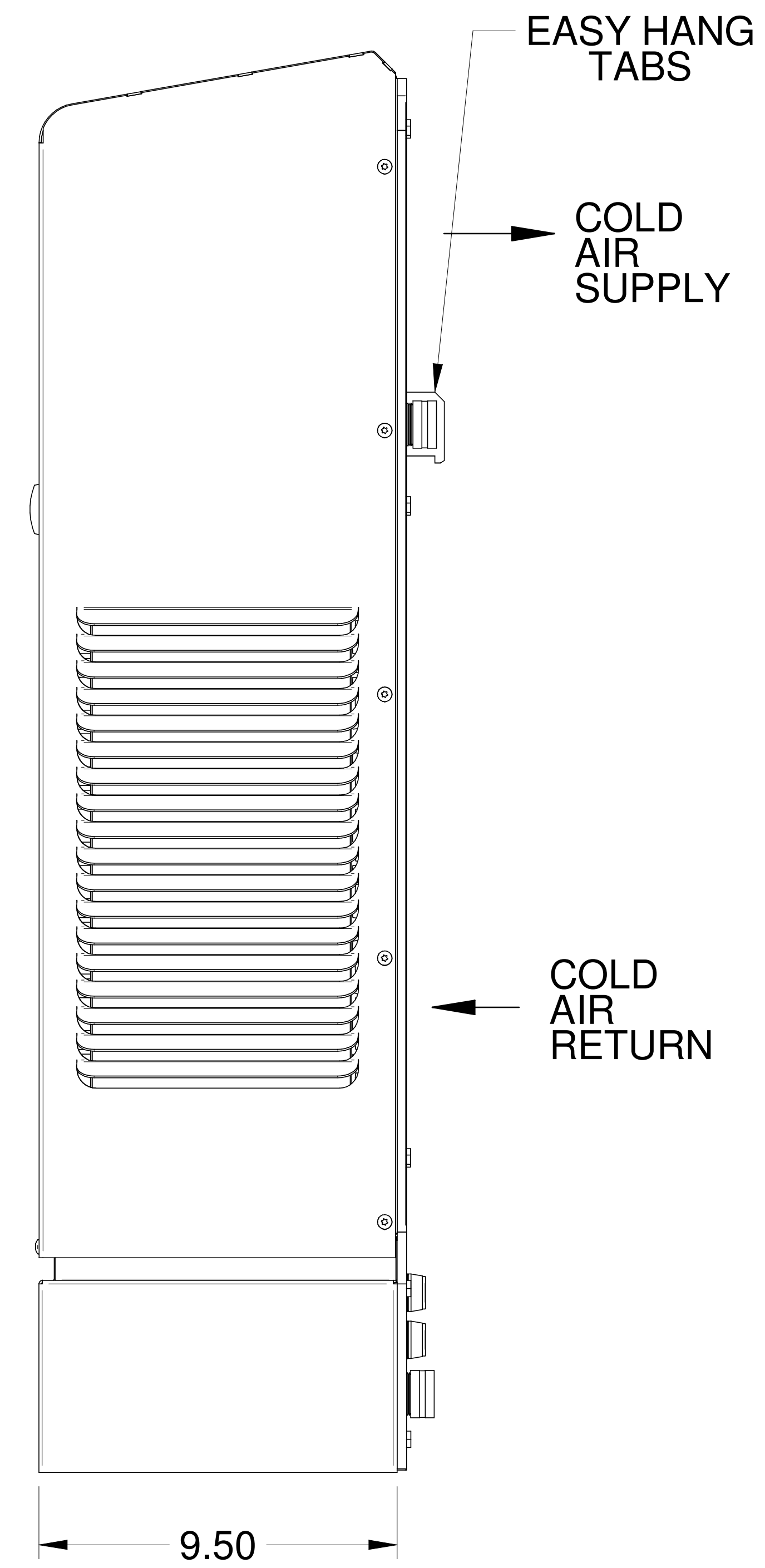
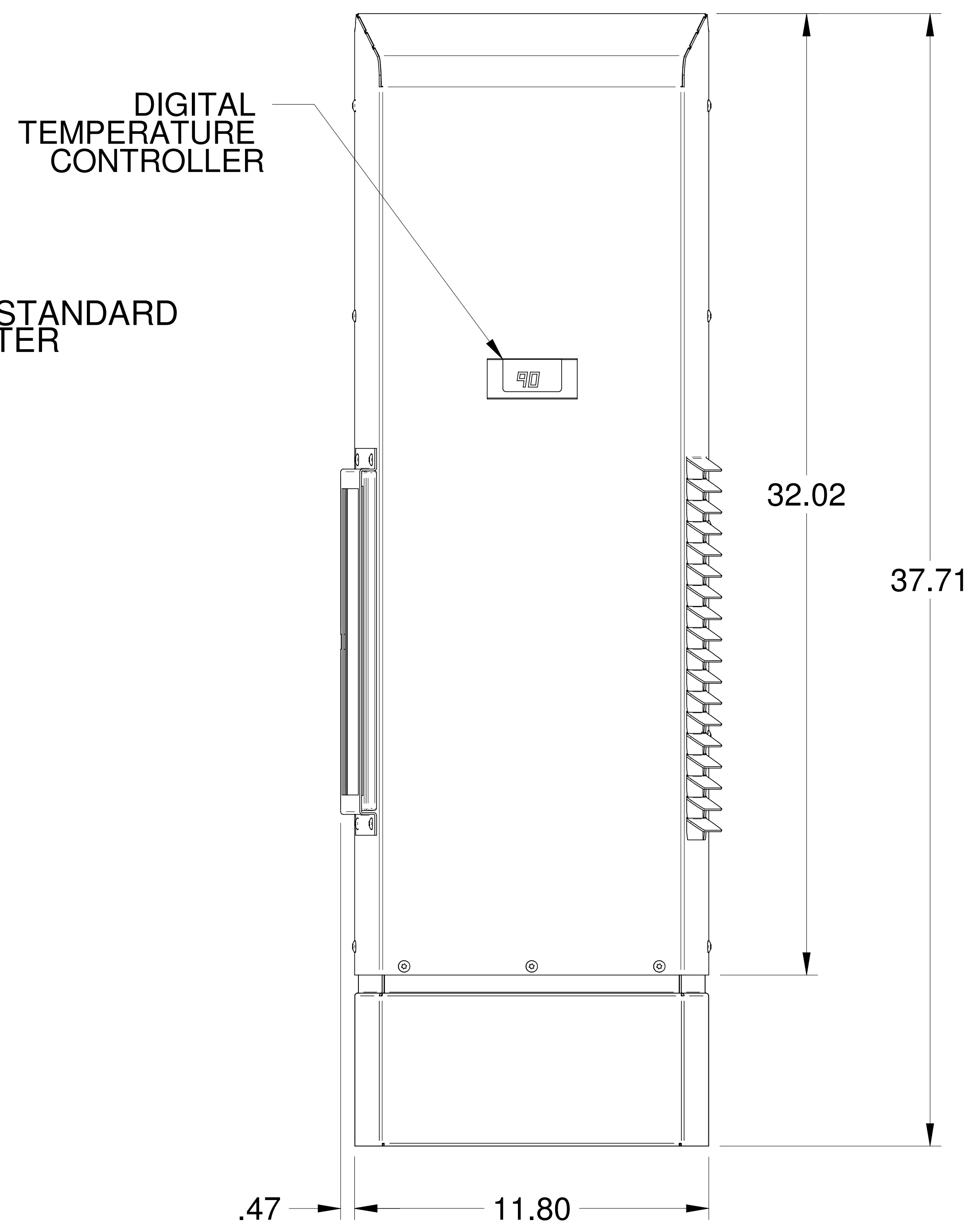
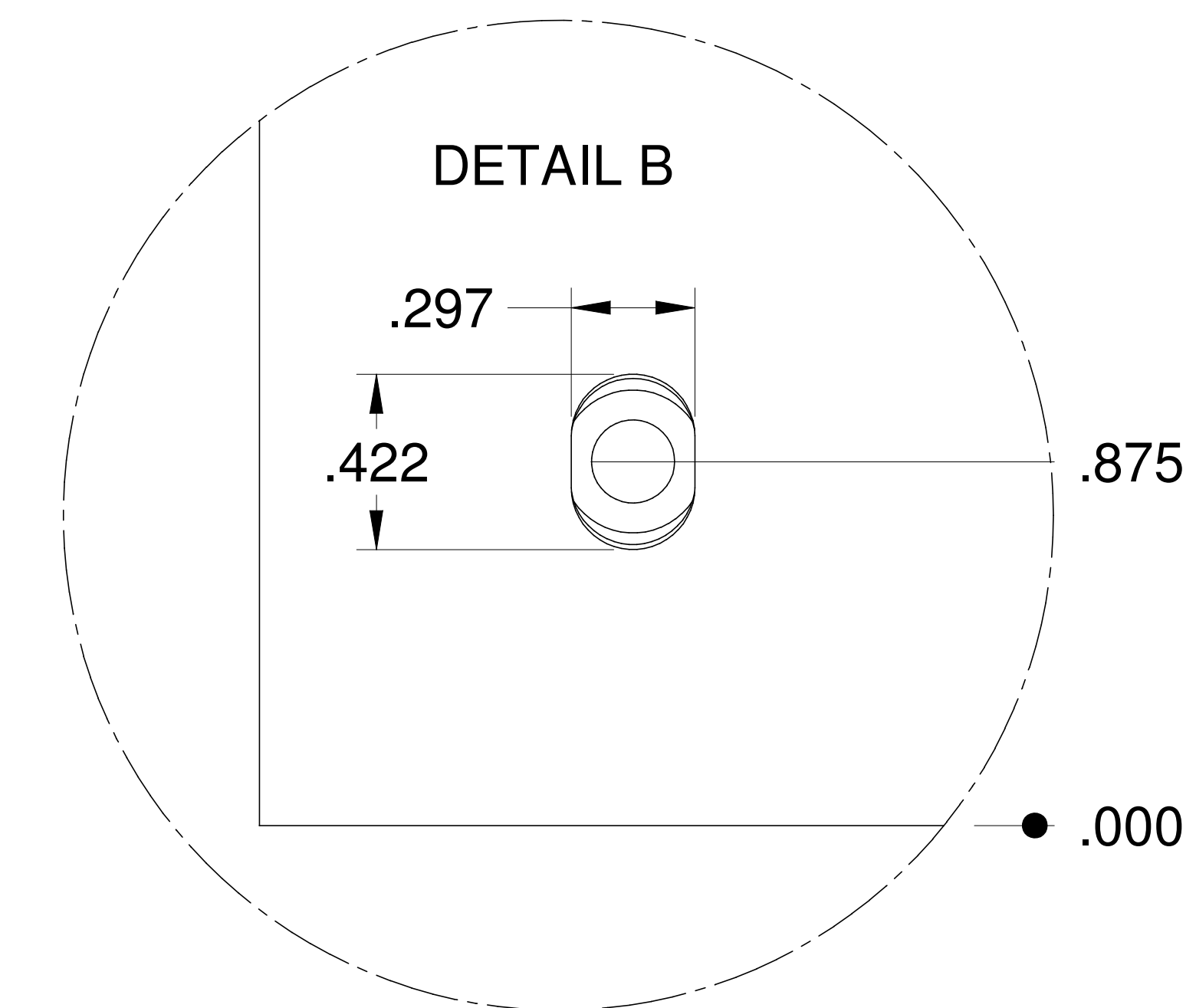
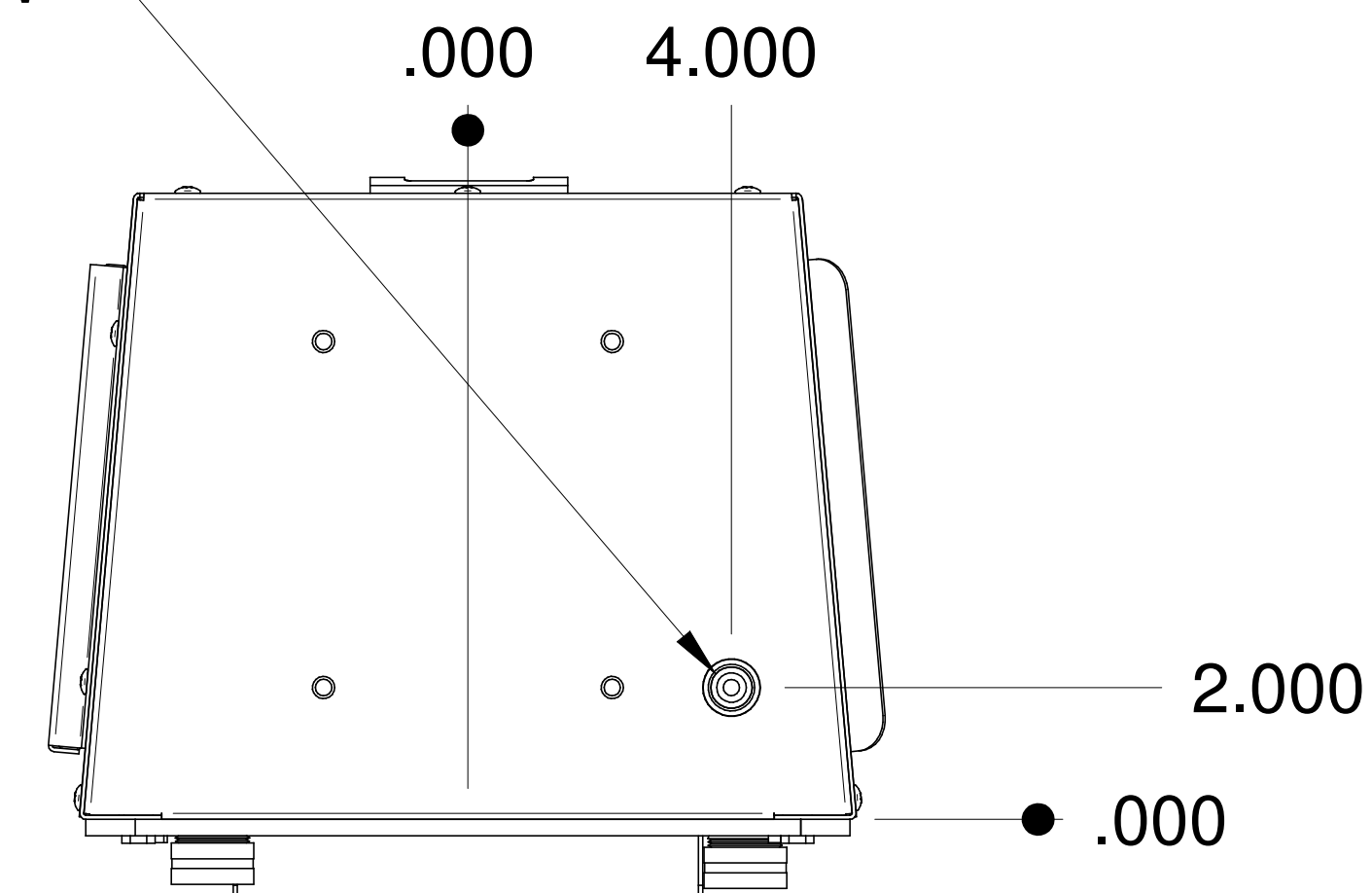


AMBIENT AIR IN.
REUSABLE FILTER:
1) SLIDING FRAME STANDARD
2) OPTIONAL 2" FILTER



CONDENSATE EMERGENCY OVERFLOW
11/16-16 STRAIGHT THREAD
MAXIMUM THREAD DEPTH .31"



TITLE		
NARROW EDGE 480 V		
NE020-486		
SIZE	DWG NO	REV
16" X 8"	NE020-486	
SCALE: FULL		WEIGHT: