



HAZARDOUS LOCATION DUTY VORTEX A/C



Avoid downtime with the most affordable, reliable and easiest-to install enclosure protection product available in the market

- » Safe, reliable cooling in hazardous locations when used with a purge system
- » Lowest cost compared to explosion-proof air conditioners
- » Very easy and quick top- or side-mount installation, no wiring or electricity
- » No maintenance required
- » Extremely reliable
- » Very quiet, 62-64 dBA operation
- » Integral mechanical thermostat maintains 80°F (27°C) to 90°F (32°C) temperatures
- » 10-year warranty
- » Operates in environments up to 175°F (80°C)



Protects Against Heat and Contamination in Hazardous Areas!

Keep electrical panels cool, clean and protected with the all-new alternative to expensive explosion-proof air conditioners and thermoelectric coolers

When used in conjunction with a purge/pressurization system, the Hazardous Location Duty (HazLoc) Vortex A/C provides essential enclosure cooling protection. When not operating in a cooling mode (when the unit's integrated mechanical thermostat senses acceptable enclosure temperatures), the purge system creates positive pressure in the enclosure. This occurs as the HazLoc Vortex A/C's integrated check valve seals off the cold air outlet, thus allowing the purge system to maintain the requisite pressure to block gases, vapors, dusts, fibers and contaminants from penetrating the enclosure.

The HazLoc Vortex A/C is specifically designed for simple installation and flexible mounting. Neither its mounting position or cold air ducting is limited by the check valve's design.

When the going gets hazardous, this product can ensure reliable operation in these environments:

When the going gets hazardous, this product can ensure reliable operation in these environments:

- » Petroleum refineries
- » Spray finishing
- » Utility gas plants
- » Chemical plants
- » Fuel servicing areas
- » Grain elevators
- » Feed mills
- » Textile mills



HAZARDOUS LOCATION DUTY VORTEX A/C

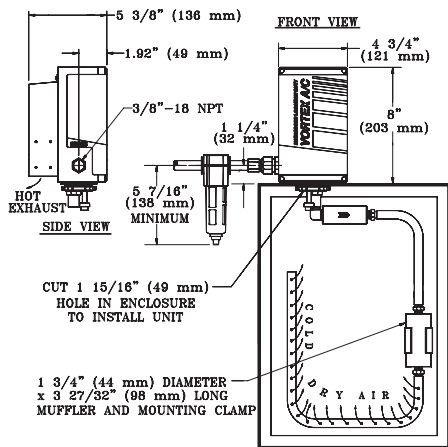
Enclosure	HazLoc Vortex A/C	Refrigerant-based Air Conditioner	Thermoelectric Cooler
Physical size	204-335 in3 (3343-5490 cm3)	2345-4200 in3 (38100-68900 cm3)	910-2165 in3 (14900-35480 cm3)
Average installation time	15 minutes	3 hours	2 hours
Maximum ambient temperature	175°F (80°C)	131°F (55°C)	158°F (70°C)
Operating noise level	62-64 dBA	62-64 dBA	62-64 dBA
Weight	6-8.75 lb (2.7-4 kg)	75-105 lbs (34-47 kg)	23-52 lbs (10.4-23.6 kg)
Mounting footprint	25.5-52.5 in2 (164-338 cm2)	369-572 in2 (2380-3690 cm2)	110-223 in2 (710-1440 cm2)
Warranty	10 years	1 year	1 year
Initial Cost	Low	Very high	High
Real ownership cost (including energy cost)	Low	High (maintenance/downtime)	Low
Contaminant and dust build-up	None (enclosure pressurized)	Contaminants can enter enclosure	Contaminants can enter enclosure



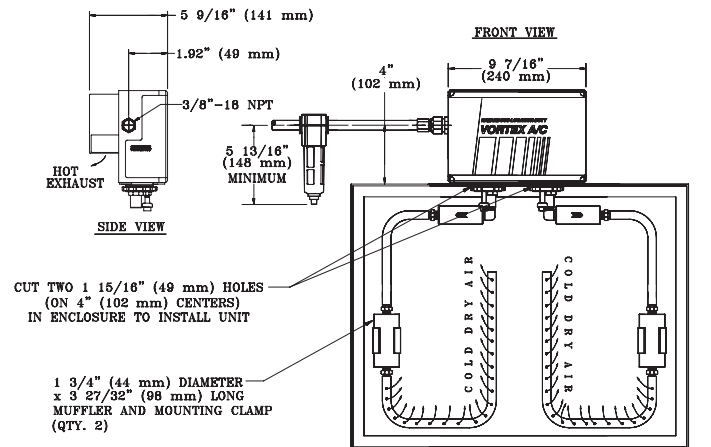
The HazLoc Vortex A/C models come as a complete system, and include a cold air ducting kit, cold end muffer, one-way valve and 5-micron Auto-Drain compressed air filter.

Models	Cooling Capacity		Air Consumption	
	BTUH	WATTS	SCFM	SLPM
HazLoc Vortex A/C				
7515	900	264	15	425
7525	1500	440	25	708
7535	2500	732	35	991
7570	5000	1465	70	1981

Models 7570 is a two-stage cooler. To conserve energy during periods of low heat load, only one stage is activated via mechanical thermostat.



HAZARDOUS LOCATION DUTY VORTEX A/C (SHOWN TOP MOUNTED ON CUSTOMER'S ENCLOSURE) 900, 1500 AND 2500 BTUH MODELS (PURGE SYSTEM NOT SHOWN)



TWO-STAGE HAZARDOUS LOCATION DUTY VORTEX A/C (SHOWN TOP MOUNTED ON CUSTOMER'S ENCLOSURE) 5000 BTUH MODEL (PURGE SYSTEM NOT SHOWN)

ISC offers a complete line of Vortex Coolers for NEMA 12, 4, and 4X electrical cabinets. For assistance in sizing an appropriate Vortex A/C for your enclosure or for more information on any of our cooling models, please call our technical service staff at 800.836.7472

Recommended operating pressure for all Vortex A/C models is 90 to 100 psig (6.2 to 6.9 bar).



Confident in the quality and reliability of Vortec products, we extend an unparalleled, 10-Year Warranty on the Hazardous Location Duty Vortex A/C