



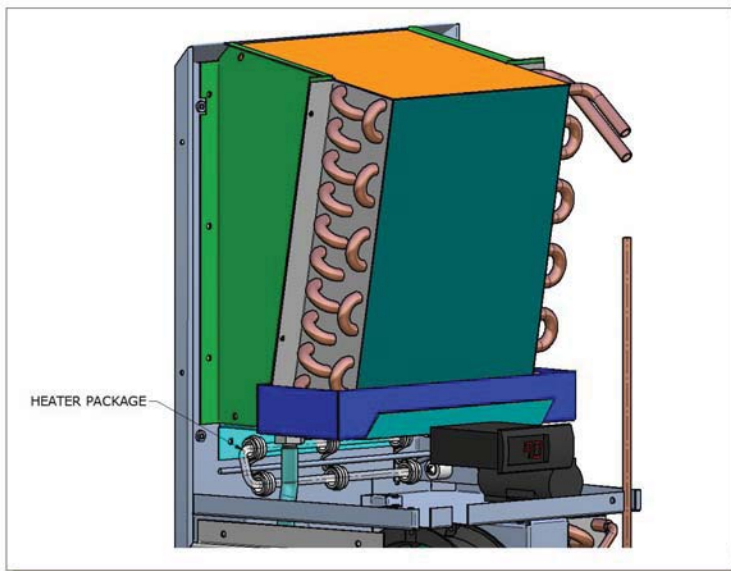
A/C ACCESSORIES

DIGITALLY CONTROLLED INTEGRATED HEAT PACKAGE

The ISC Enclosure Heat System is incorporated into the evaporator section of the air conditioner, thereby utilizing the evaporator blower for cooling or heating. Electric heating elements with thermal overloads are available in three ranges to suit most applications. The heater is controlled by our programmable, digital temperature controller. The controller has separate programmable upper and lower control limits for cooling and heating, and a programmable dead band to prevent simultaneous operation of heating and cooling. The temperature set points for cooling and heating can be set at the factory during production or field adjusted in one degree increments. The temperature set points can be protected by keypad protection.

Specifications:

Voltage:	120 - 208/230
Watts:	500, 1000, or 1500
Capacity, BTUH:	1707 BTUH/3413 BTUH/5120 BTUH
Temperature Range:	-99 to 302 degrees F
Dead band:	.1 to 20 degrees F
Accuracy:	Better than .5% of scale
Resolution:	.1 degree
Code Protection:	4 digit, customer settable on request



All information subject to change without notice

