

RFP 018 ROOF FILTER FAN 177 - 338 CFM



- Very low noise**
- Minimal mounting depth**
- High air volume**
- High reliability**
- Time-saving installation**

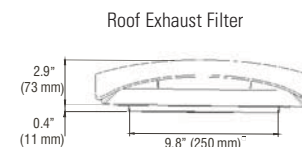
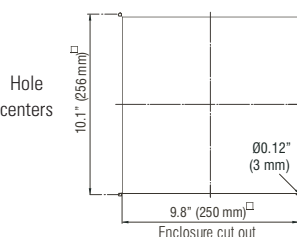
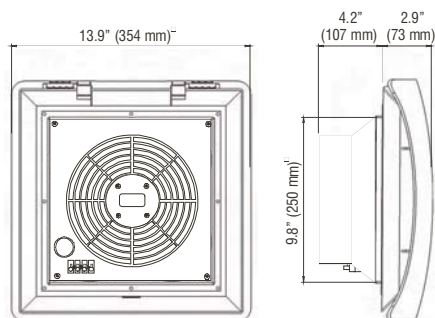
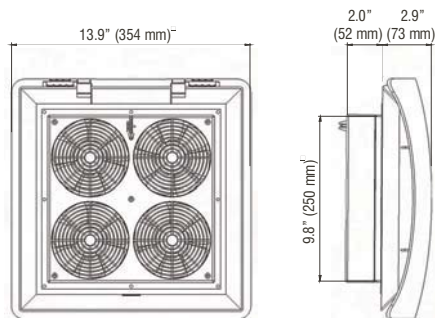
Roof filter fans and roof exhaust filters are used in enclosures from which warm air must be diverted due to increased heat development. The ready-to-connect and low-noise roof filter fan is used to expel warm air from within the enclosure. Alternatively, the roof exhaust filter provides passive ventilation. The RFP 018 series comes in two versions: one utilizes **four small axial fans**, improving reliability and maintaining continuous operations even if one of the fans should fail; the second uses a larger single high capacity fan.



Technical Data

Axial fans, ball bearing	service life min. 50,000h at 77°F (25°C) and 65% RH aluminum fan body, plastic rotor
Connection	3-pole clamp, AWG 14 (2.5mm ²), clamping torque 0.8Nm max.
Housing	Plastic, UL 94V-0, light grey; weather and UV light resistant according to UL 746C (f1)
Filter mat	G3 acc. to DIN EN 779, filtering degree 85%
Filter material	synthetic fiber with progressive construction, temperature resistant to 100°C, self-extinguishing class F1; moisture resistant to 100% RH, reusable - can be cleaned by washing or vacuuming
Operating / Storage temperature	-4 to +158°F (-20 to +70°C)
Protection class	I (grounded)
Protection type	IP43 (with G3 filter mat) / IP33 (without filter mat)
Approvals	UL and VDE intended

Important note: For reasons of pressure compensation, the roof filter fan must always be operated in combination with another filter fan (e.g. Part No. 01803.0-00) or a passive intake filter (e.g. Part No. 11803.0-00).



Use included template for precise cut-out dimensions

RFP 018 Roof Filter Fan

Part No.	Operating voltage	Air volume, free blowing (w/ G3 filter mat)	Air volume, free blowing (w/out filter mat)	Power consumption	Average noise level (DIN EN ISO 4871)	Mounting depth	Enclosure cut-out	Weight (approx.)
01860.0-00	230VAC, 50Hz ¹⁾	177 cfm (300m ³ /h)	235 cfm (400m ³ /h)	68W	55db (A)	2.0" (52mm)	9.8 x 9.8"	7.3 lbs. (3.3kg)
01860.0-02	120VAC, 60Hz	203 cfm (345m ³ /h)	271 cfm (460m ³ /h)	60W	55db (A)	2.0" (52mm)	9.8 x 9.8"	7.3 lbs. (3.3kg)
01861.0-00	230VAC, 50Hz ¹⁾	294 cfm (500m ³ /h)	383 cfm (650m ³ /h)	64W	67db (A)	4.2" (107mm)	9.8 x 9.8"	5.7 lbs. (2.6kg)
01861.0-02	120VAC, 60Hz	338 cfm (575m ³ /h)	440 cfm (748m ³ /h)	85W	67db (A)	4.2" (107mm)	9.8 x 9.8"	5.7 lbs. (2.6kg)

¹⁾ air volume increases by 15% when operating 230VAC filter fans at 60Hz

REP 118 Roof Exhaust Filter

Part No.	Mounting depth	Enclosure cut-out	Weight (approx.)	Filter mat	Protection type
11860.0-00	0.43" (11mm)	9.8 x 9.8"	2.2 lbs. (1.0kg)	G3 acc. to DIN EN 779, filtering degree 85%	IP43 (w/ G3 filter mat)

FM 086 Filter Mats

Filter mat	11.1 x 11.1" (282 x 282 mm)
G3 (1 packing unit = 3 pcs.)	Part No. 08613.0-00